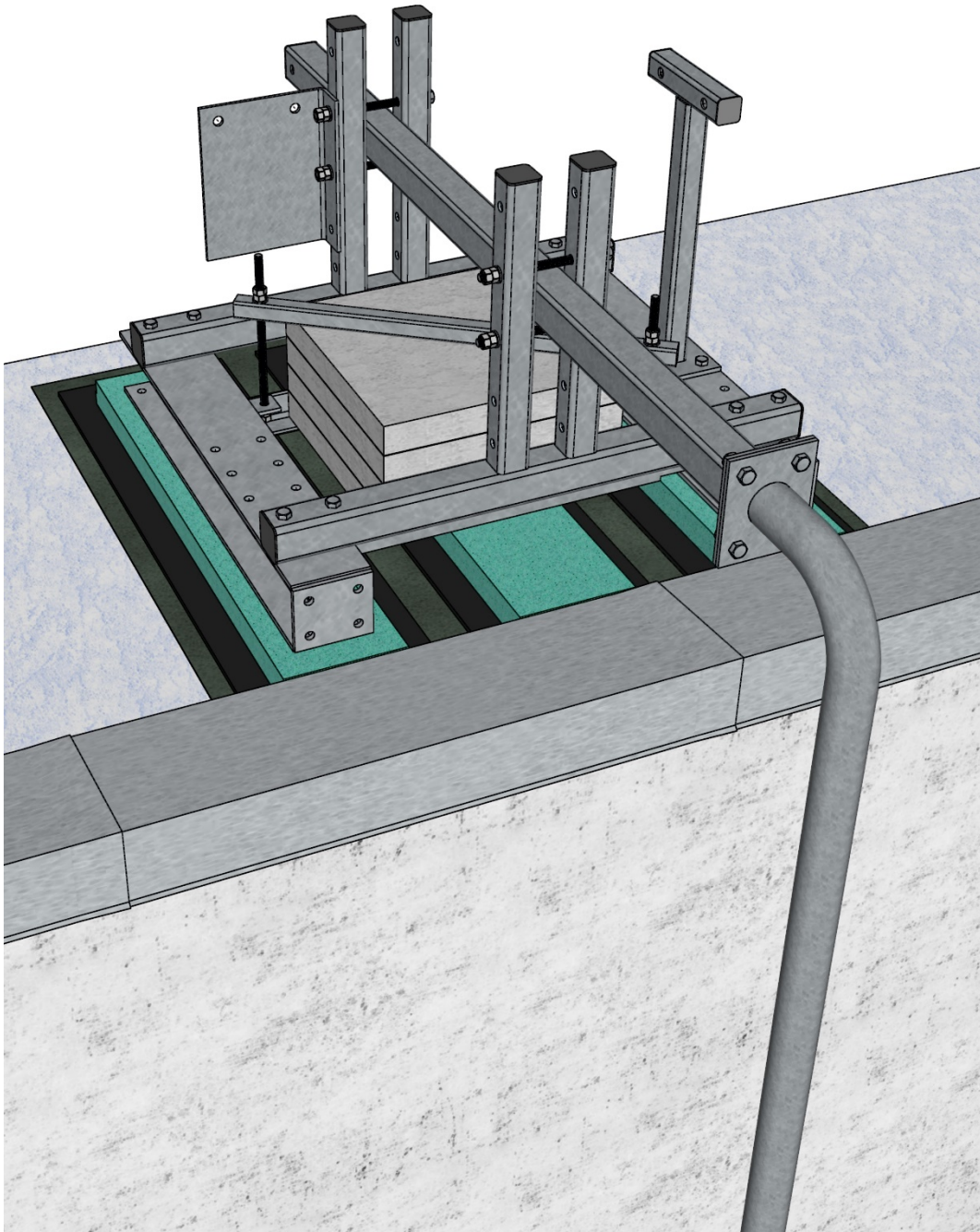


## **GR 116-01**

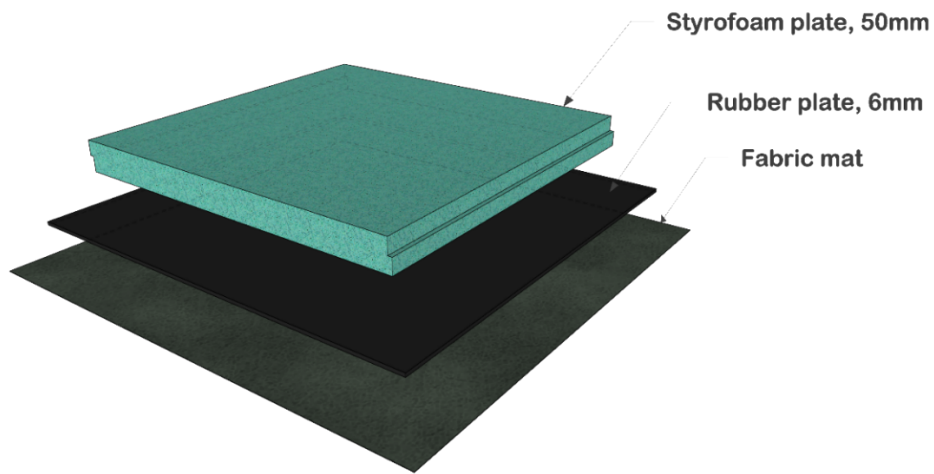
**ANTENNEFESTE OVER TAKKANT - 1 STK. ANTENNERØR,  
BØYD - 0,8M RAMME**

### OVERVIEW



## 1. PREPARE FLORING

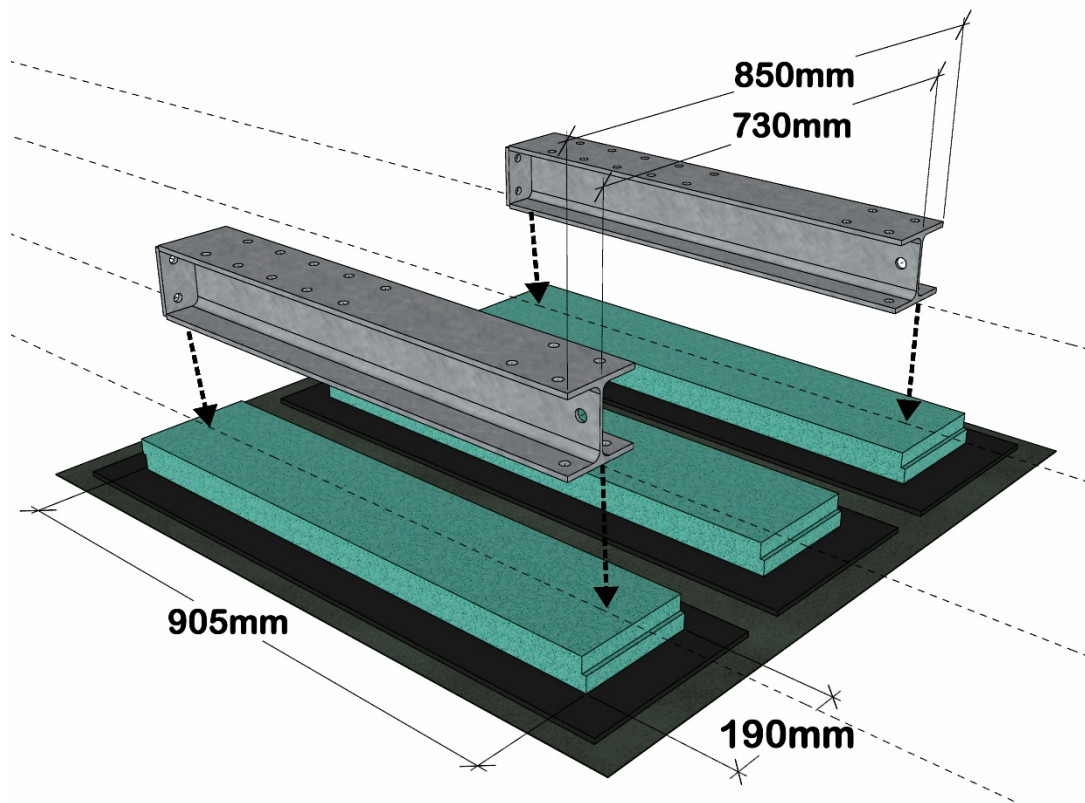
**i** Protect the surface from the damaging using Styrofoam plate, rubber surface and fabric mat below each supporting plate



## 2. SUPPORTING HORIZONTAL BEAM

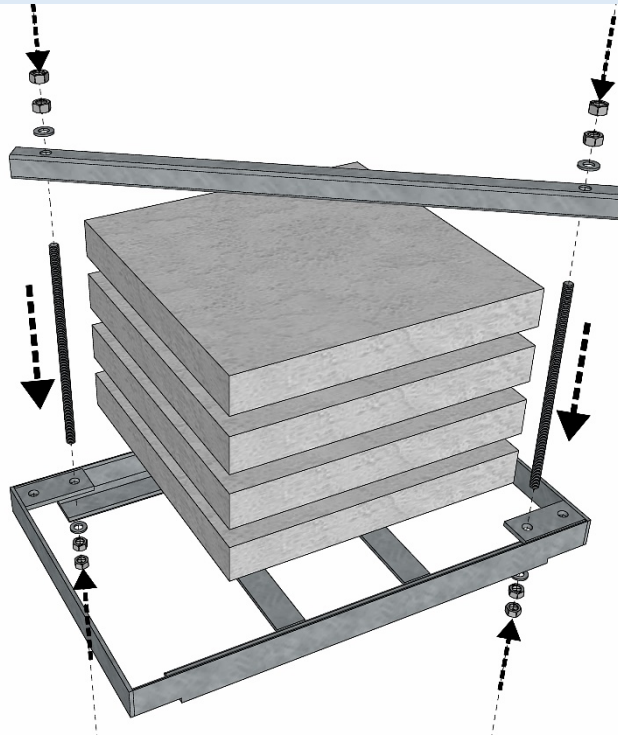
**i** Install 2x horizontal beam GR120-10-P01 on the prepared floor pads  
Set two beams at a distance of 730mm (Axial distance)

Recommended to cut 3x Styrofoam pads to dimensions 905/190/50mm

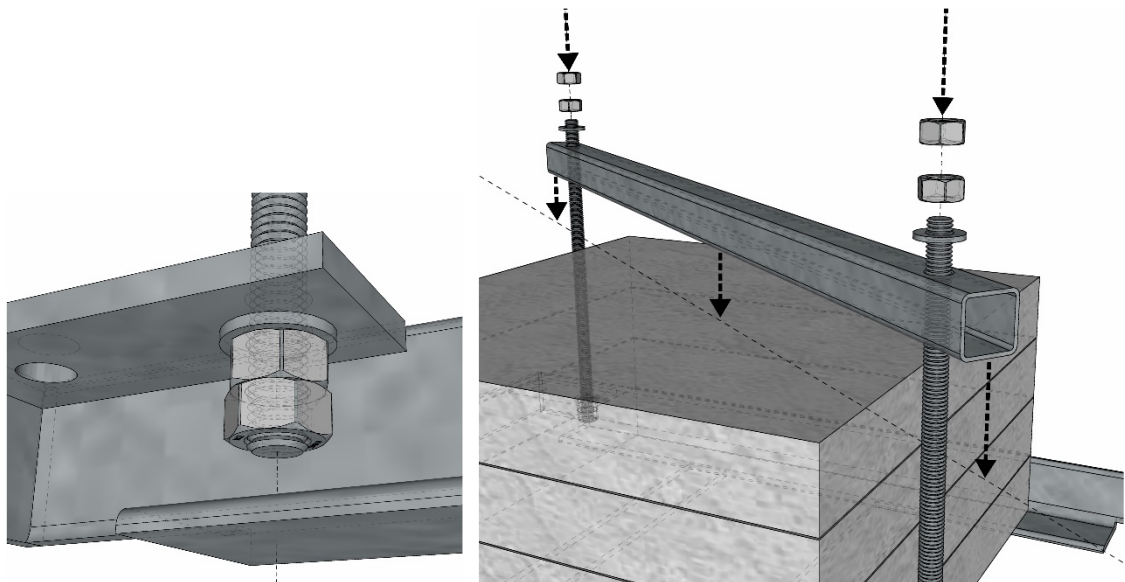


### 3. Kassett for feste av betongbl.; GR120-11-P18

**i** Set 4x concrete blocks 500/250/50mm at center of the base frame

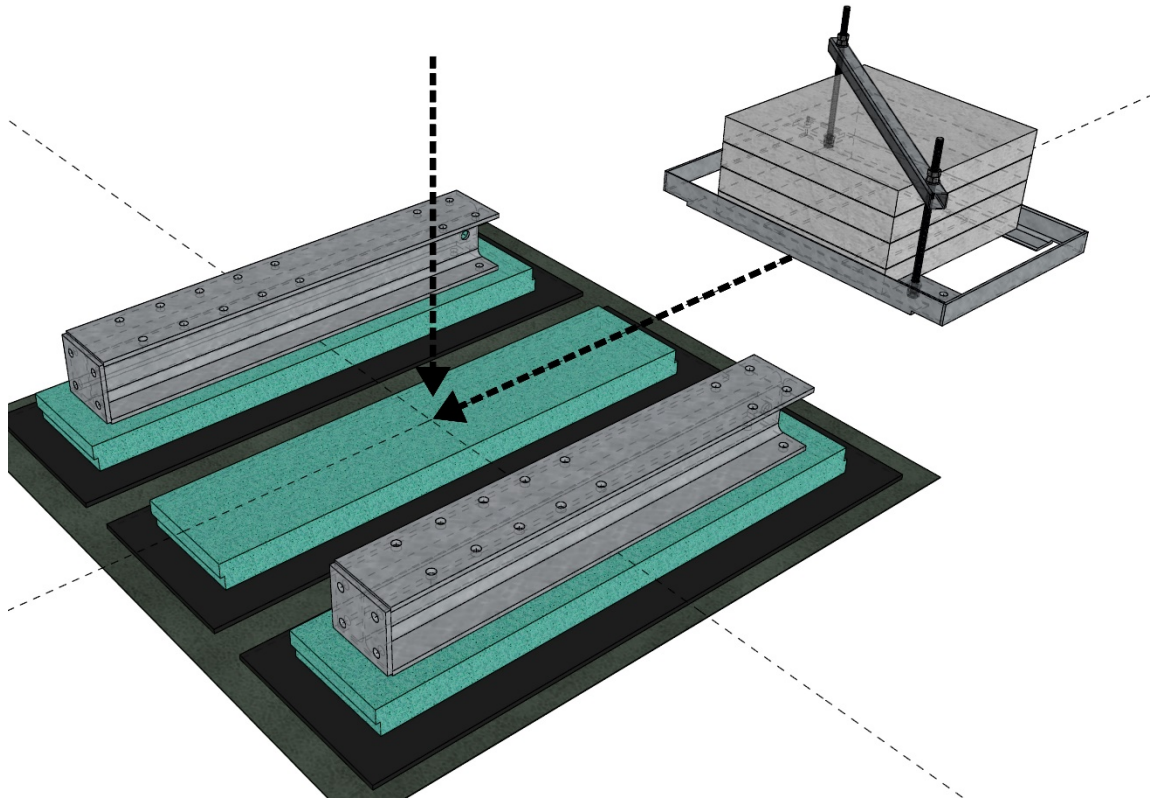


**i** place two threaded rods diagonally in the required positions (see drawing) and tighten the nuts / counter nuts;  
Set tightening HUP30/30/3 over the concrete block and through the installed threaded rods to secure blocks from damaging.



## 4. VERTICAL SUPPORTS

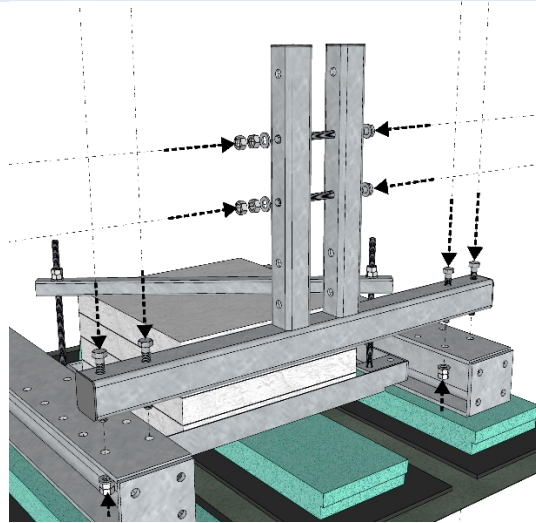
**i** Slide **GR120-11-P18** frame with concrete blocks to the center point between two main horizontal beams **GR120-10-P01**



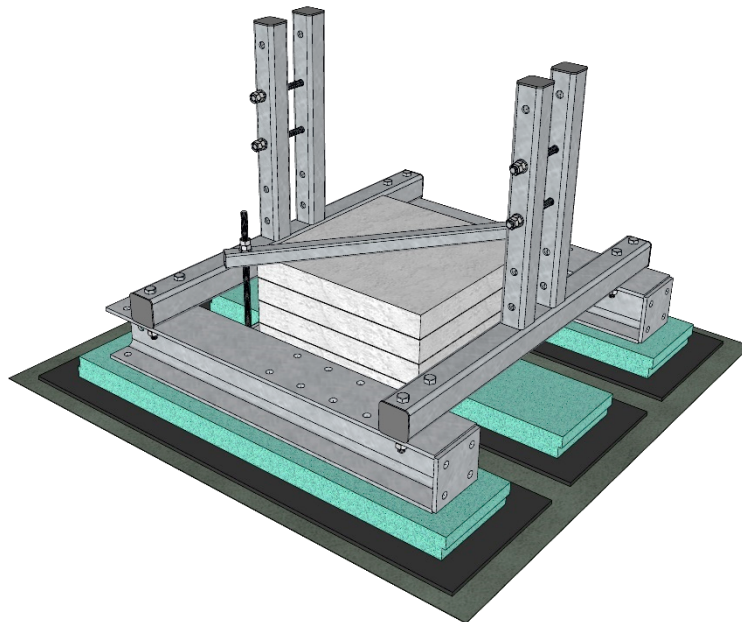
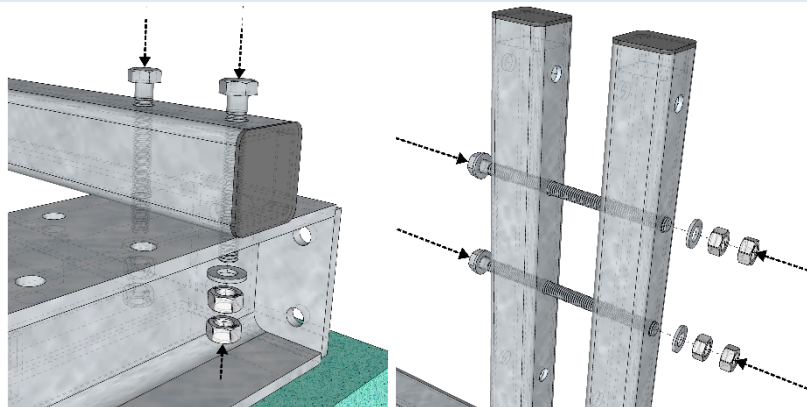


## 5. EQUIPMENT FRAME

**i** Install 2x GR120-13-P30 supports on the prepared beams

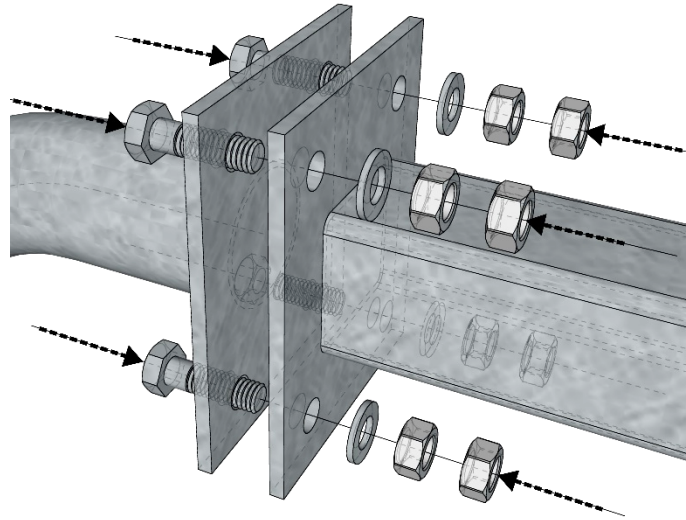


**i** Make connection between 2x main beams and 2x GR120-13-P30 supports using M12x40 bolts  
Prepare adding antenna support set by installing 4x M12x200 bolts/ 2x per support

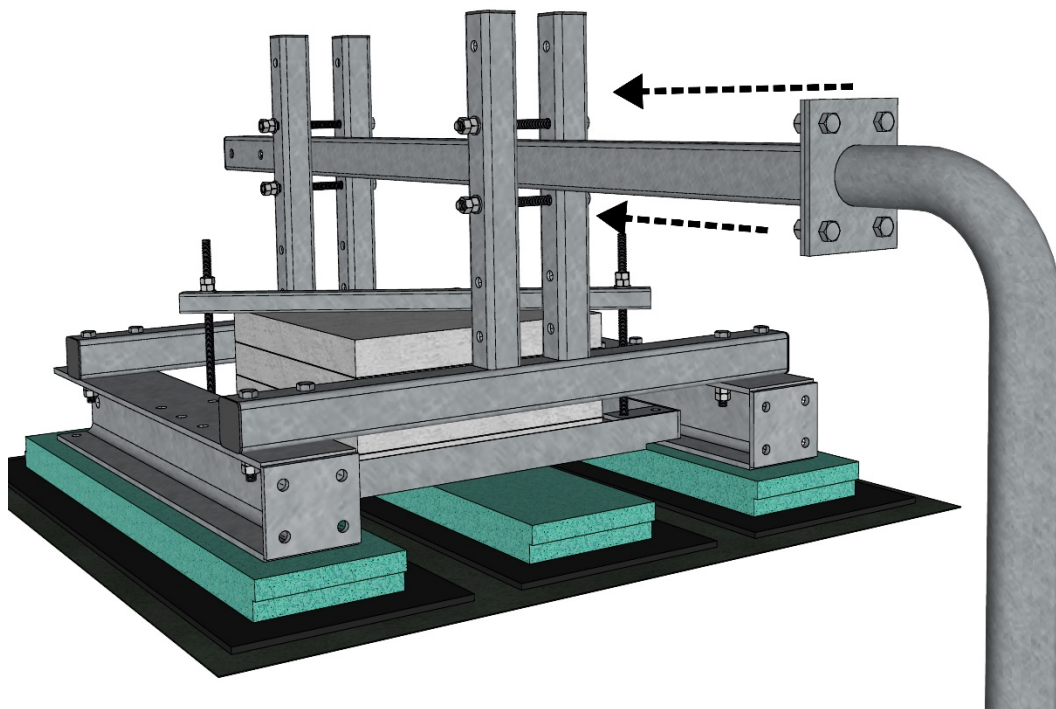


## 6. ANTENNA SUPPORT SET

**i** Connect **GR120-13-P34** bended tube with **GR120-13-P30** supports using 4x M12x40 bolts

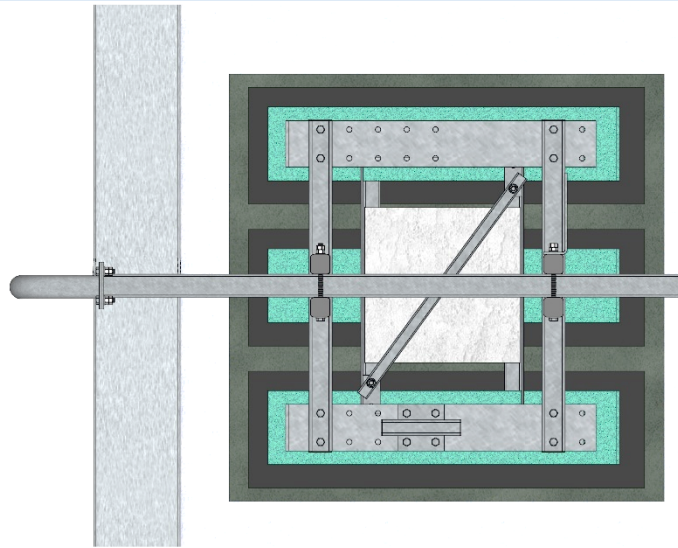


**i** Insert antenna support set through the 2x prepared **GR120-13-P30** supports and make certain tightening of prepared bolts 4x M12x200

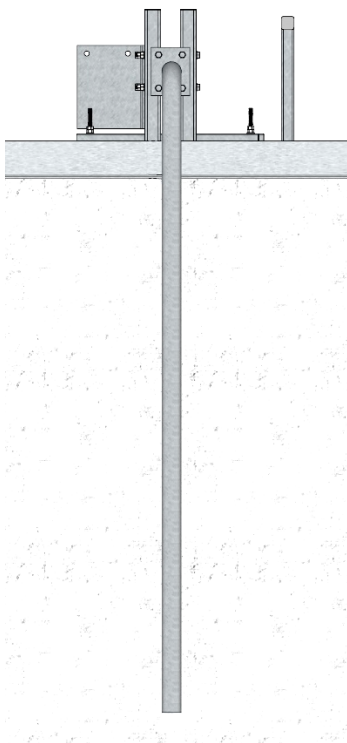


## 7. LAYOUT DRAWING

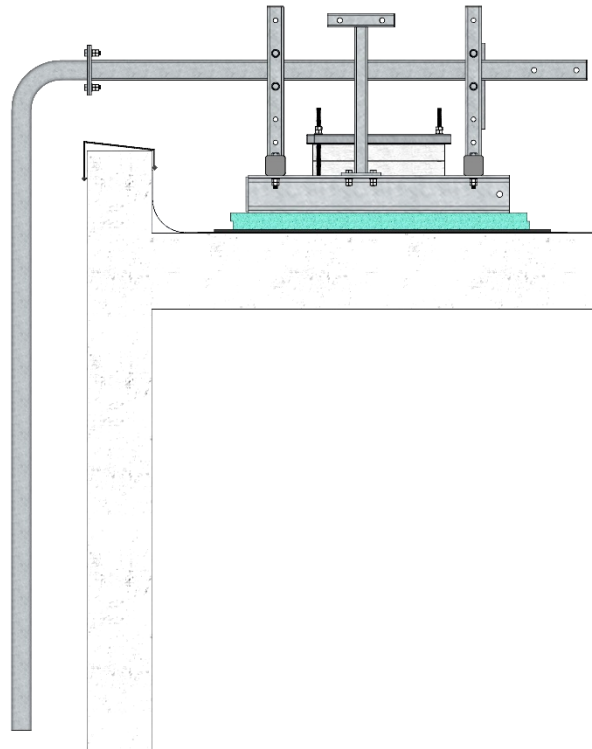
**i** Top view



**i** Front view



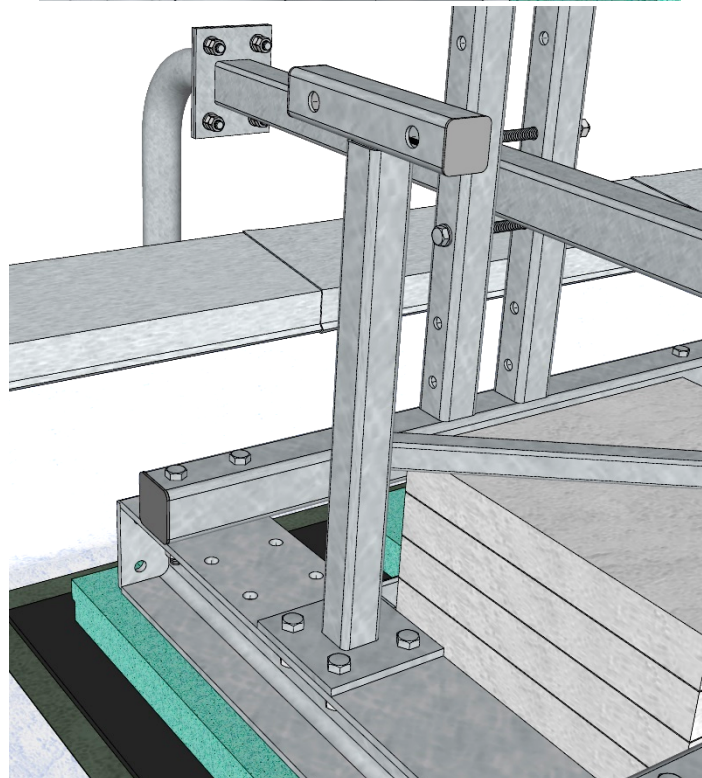
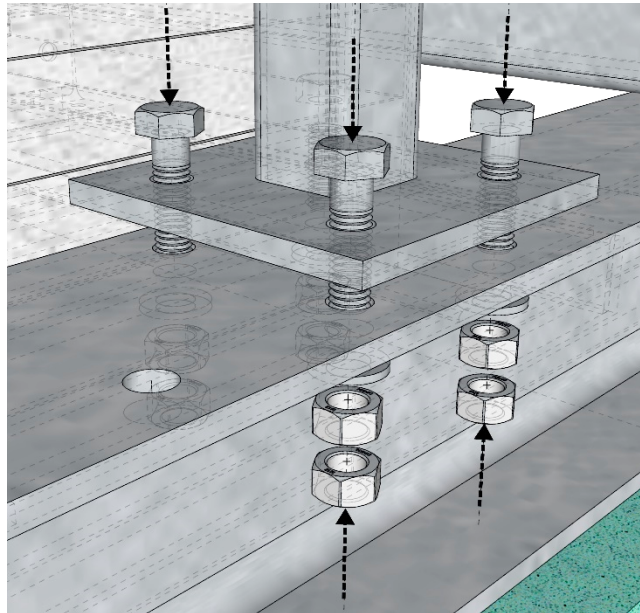
**i** Side view



## 8. RRU SUPPORT GR120-13-P35 - OPTIONAL

**i** Install RRU-support **GR120-13-P35** on the side of the GR116-01 support using 4x M12x40

*Note: order separately*





## 9. RRU SUPPORT GR120-13-P33 - OPTIONAL

**i** Install RRU-support **GR120-13-P33** on the side of the frontal **GR120-13-P30** brackets

*Note: order separately*

