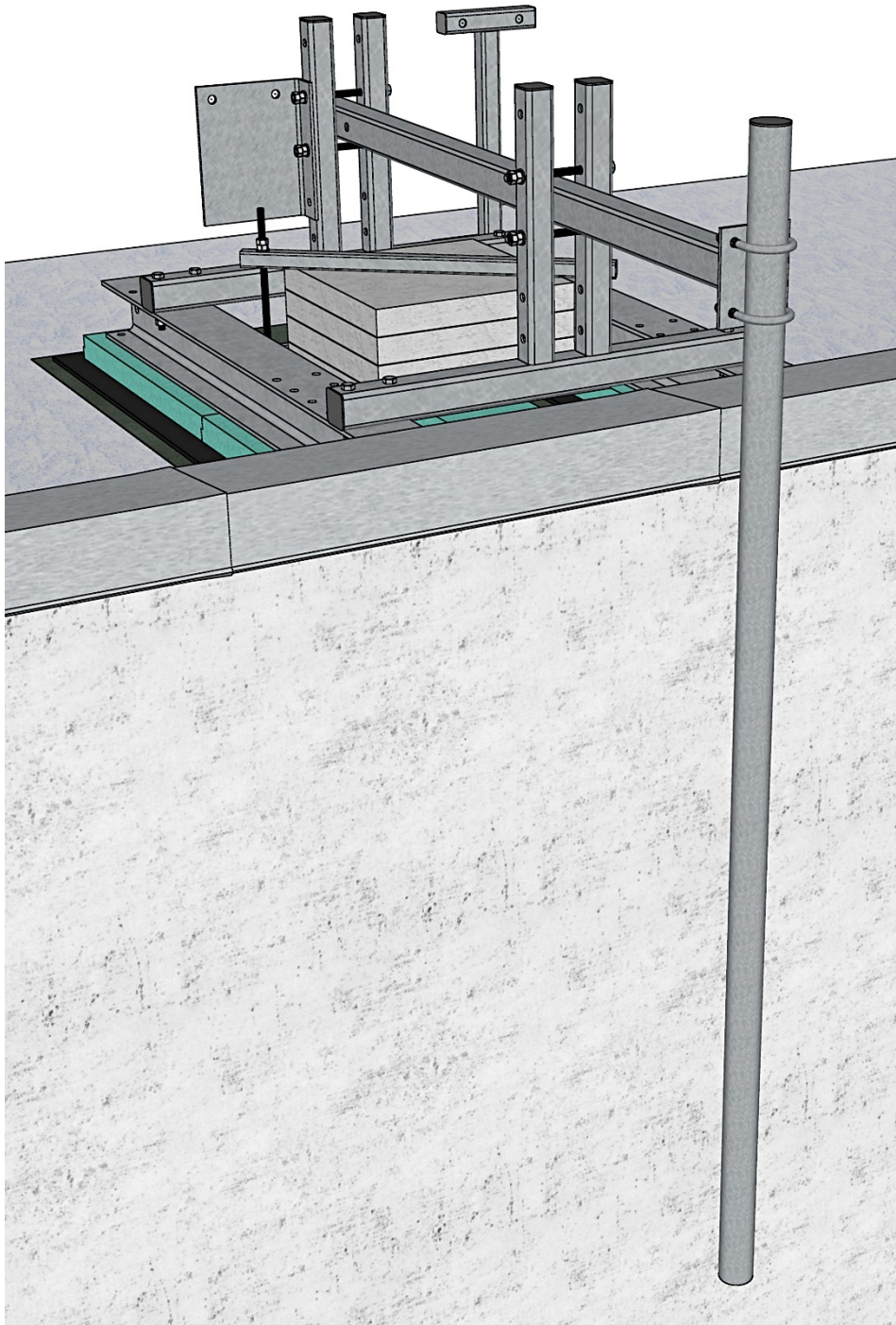


GR 116-04

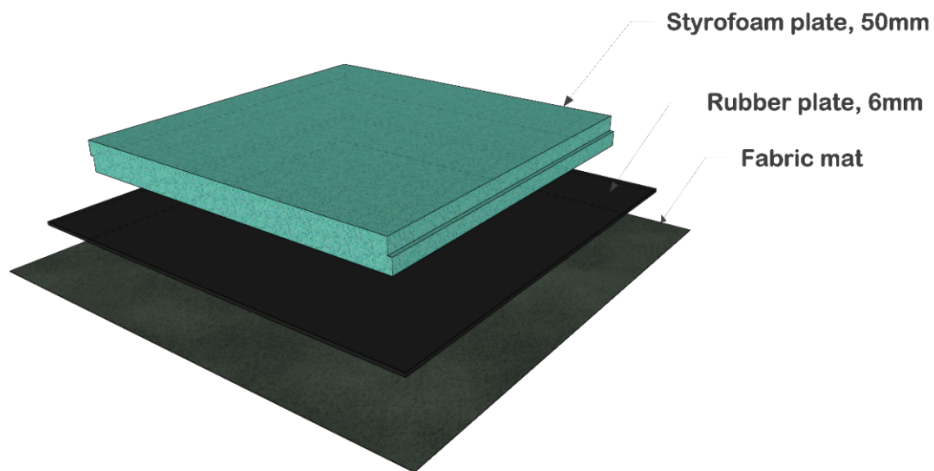
**ANTENNEFESTE OVER TAKKANT - 2 STK. ANTENNERØR,
RETTE - 1,2M RAMME**

OVERVIEW



1. PREPARE FLORING

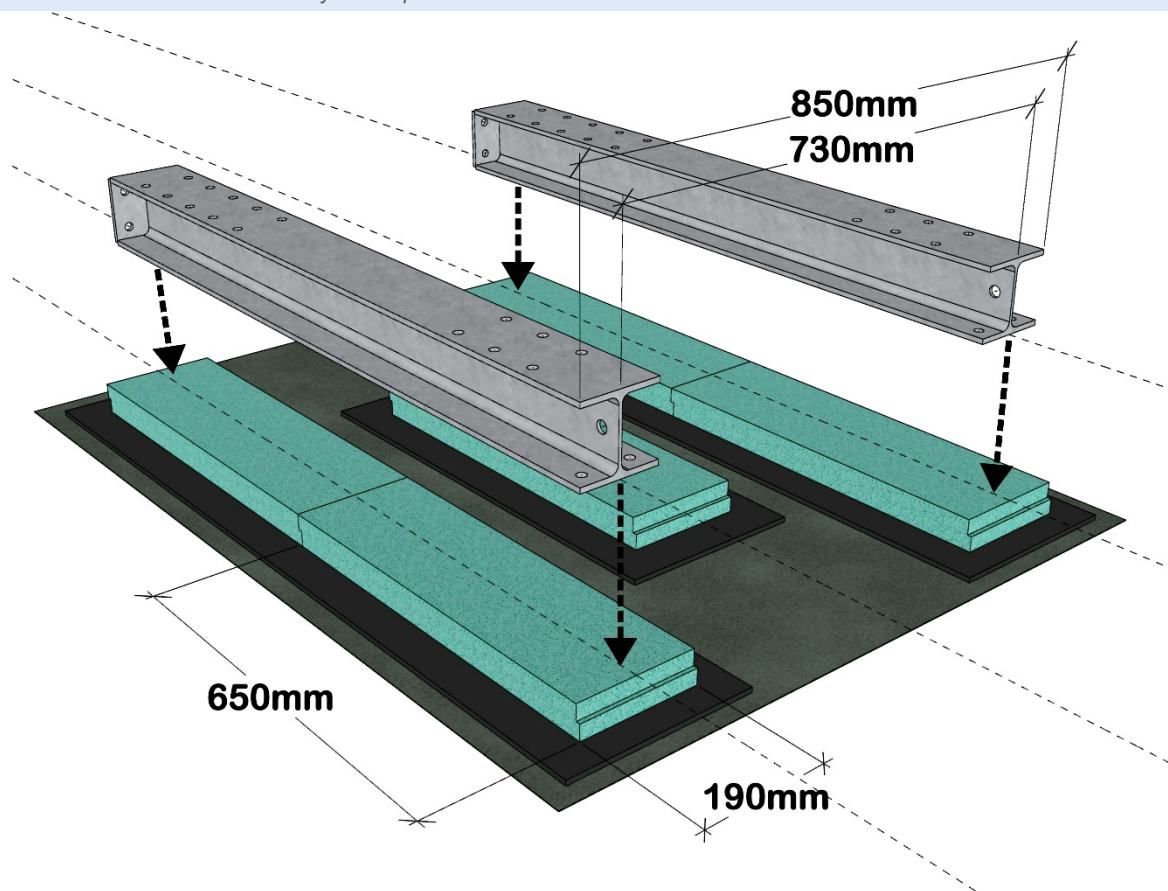
i Protect the surface from the damaging using Styrofoam plate, rubber surface and fabric mat below each supporting plate



2. SUPPORTING HORIZONTAL BEAM

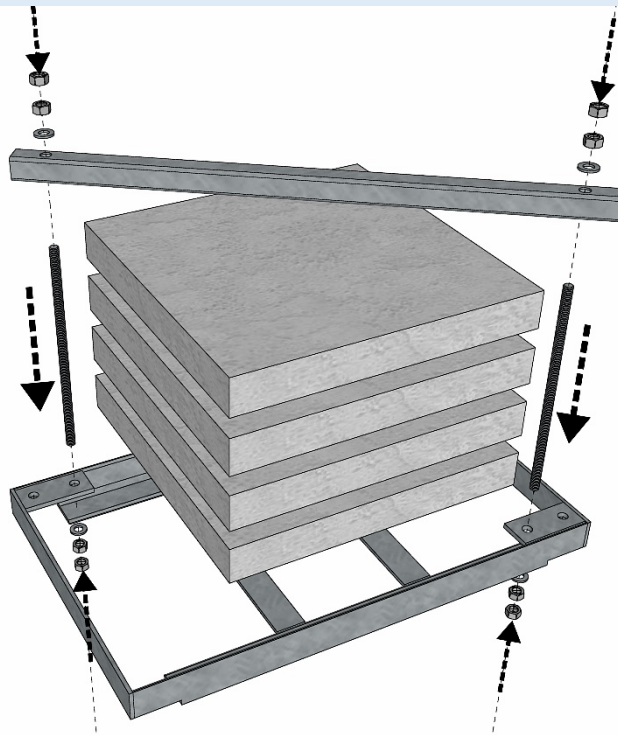
i Install 2x horizontal beam GR120-10-P02 on the prepared floor pads
Set two beams at a distance of 730mm (Axial distance)

Recommended to cut 5x Styrofoam pads to dimensions 650/190/50mm

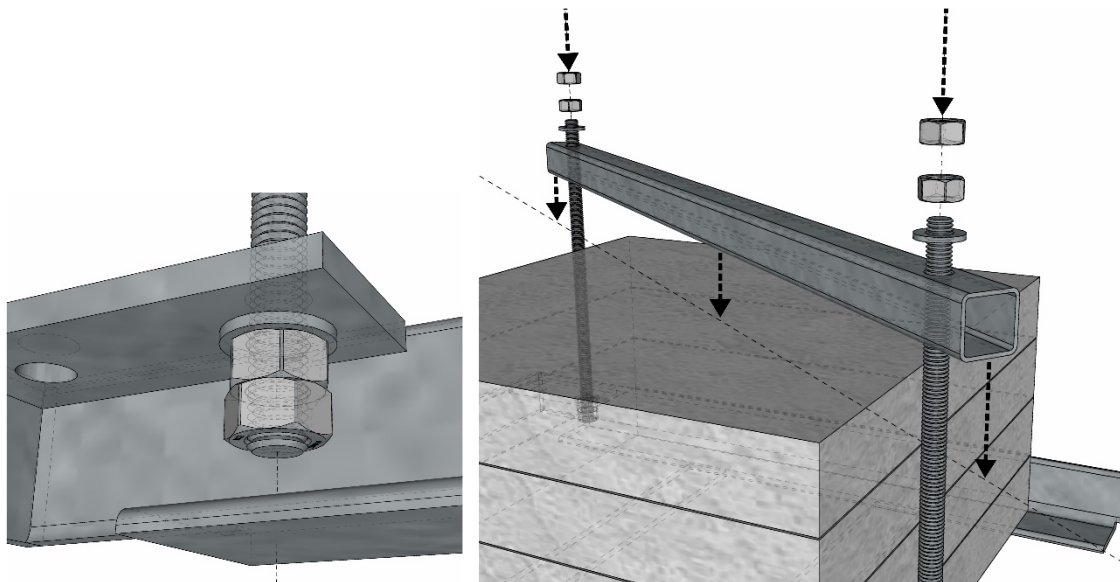


3. Kassett for feste av betongbl.; GR120-11-P18

i Set 4x concrete blocks 500/250/50mm at center of the base frame

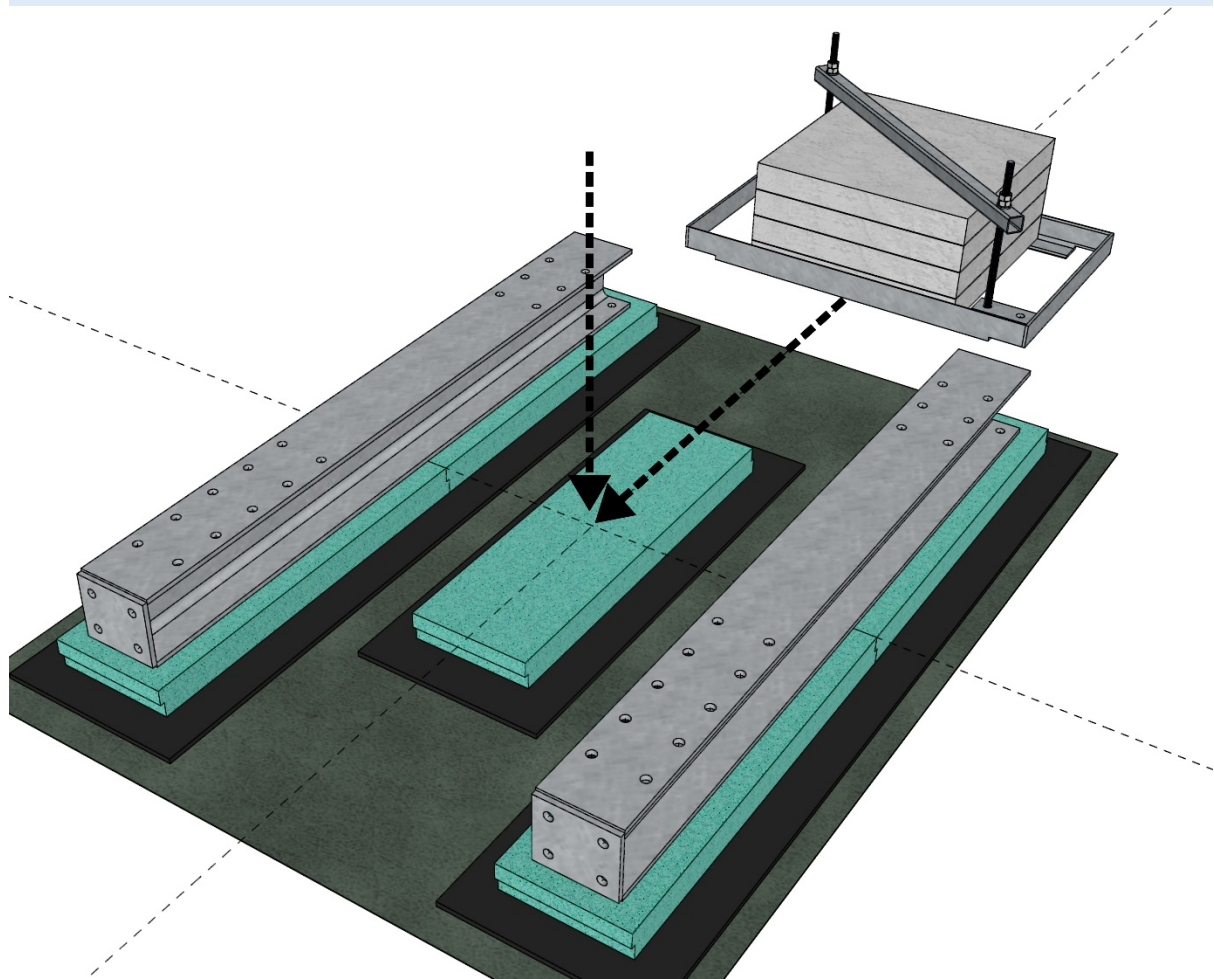


i place two threaded rods diagonally in the required positions (see drawing) and tighten the nuts / counter nuts;
Set tightening HUP30/30/3 over the concrete block and through the installed threaded rods to secure blocks from damaging.



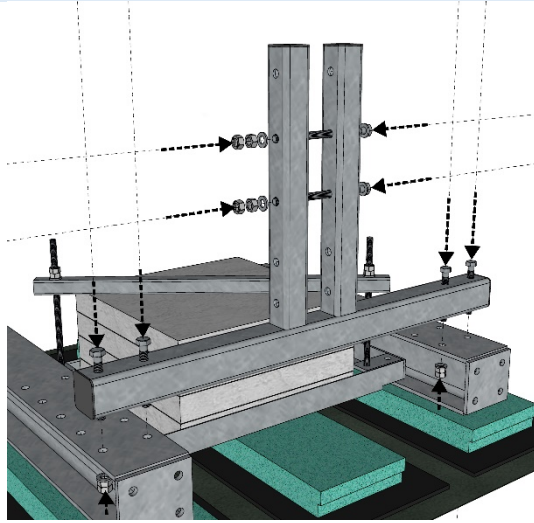
4. VERTICAL SUPPORTS

i Slide **GR120-11-P18** frame with concrete blocks to the center point between two main horizontal beams **GR120-10-P02**

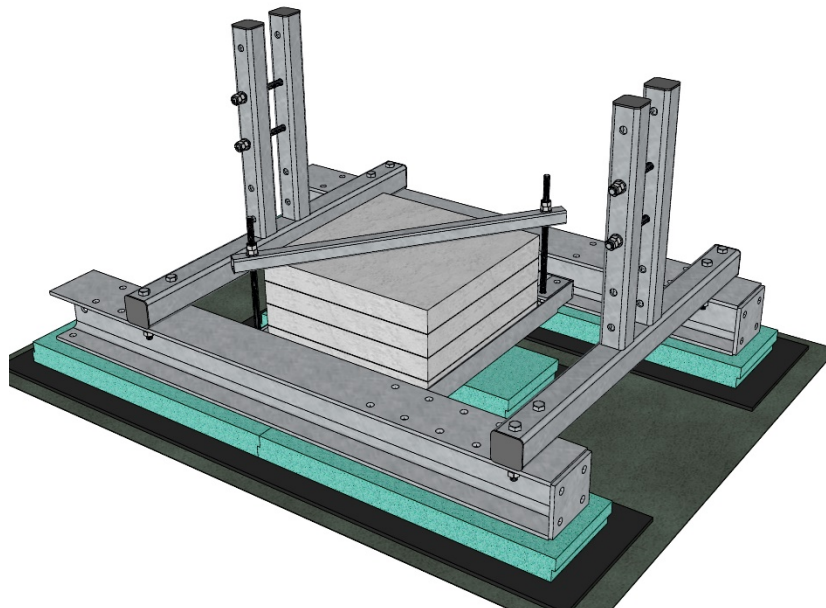
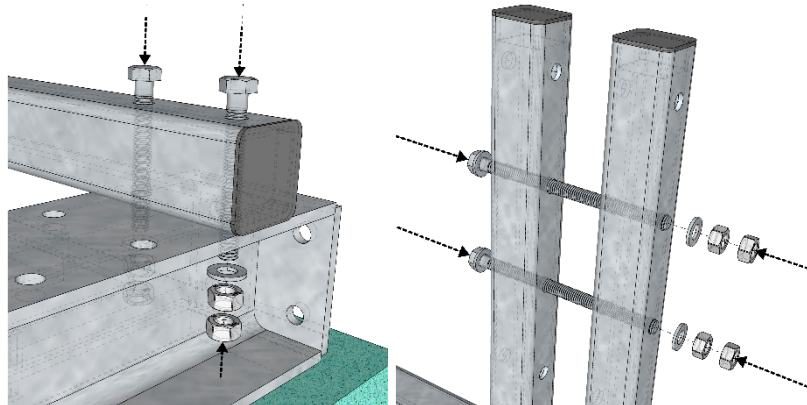


5. EQUIPMENT FRAME

i Install 2x GR120-13-P30 supports on the prepared beams

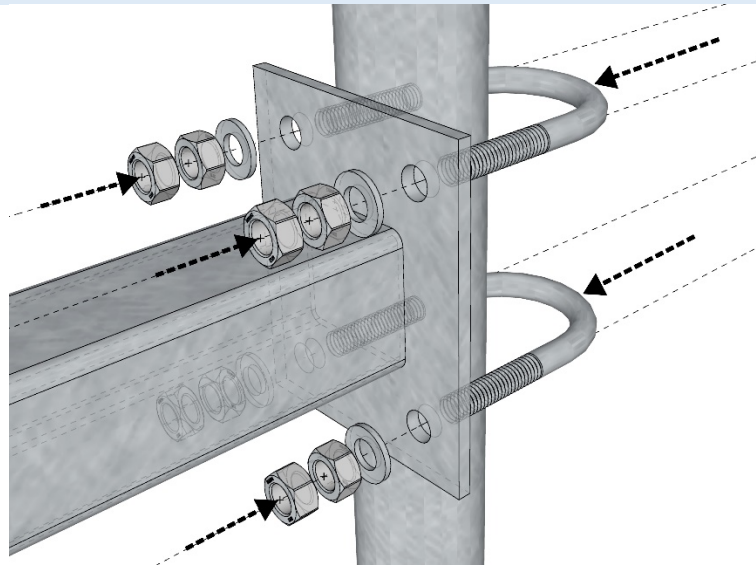


i Make connection between 2x main beams and 2x GR120-13-P30 supports using M12x40 bolts
Prepare adding antenna support set by installing 4x M12x200 bolts/ 2x per support

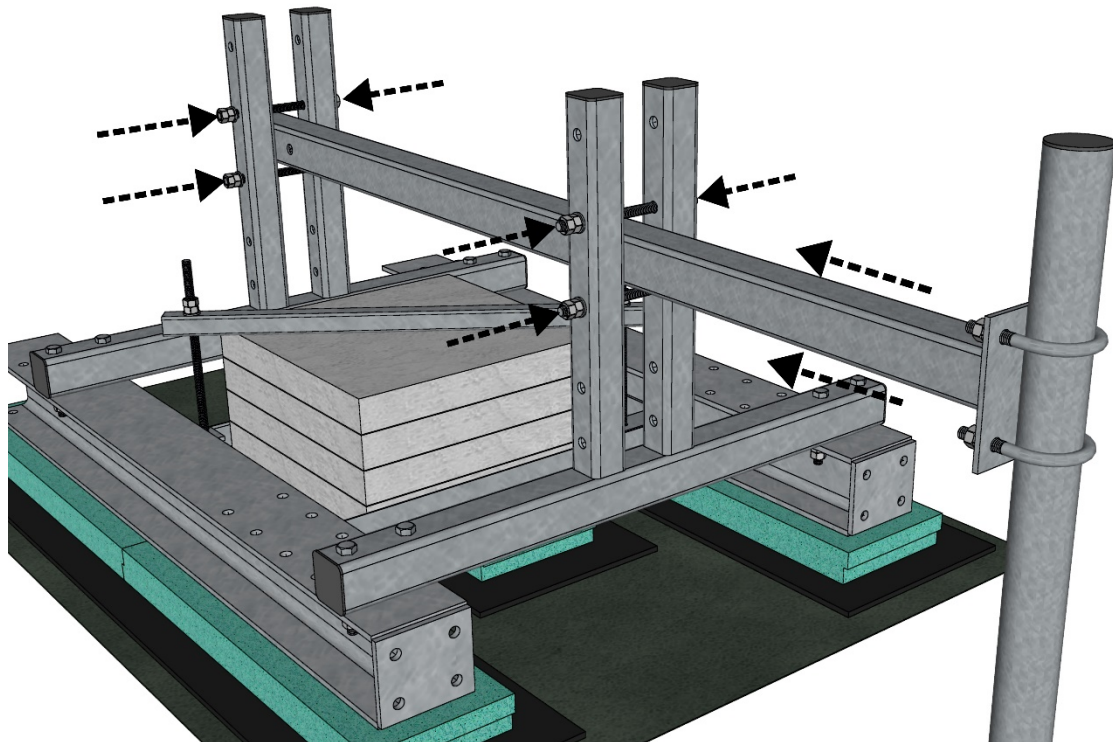


6. ANTENNA SUPPORT SET

i Connect *D72/2.0* tube with *GR120-13-P31* supports using U-bolts

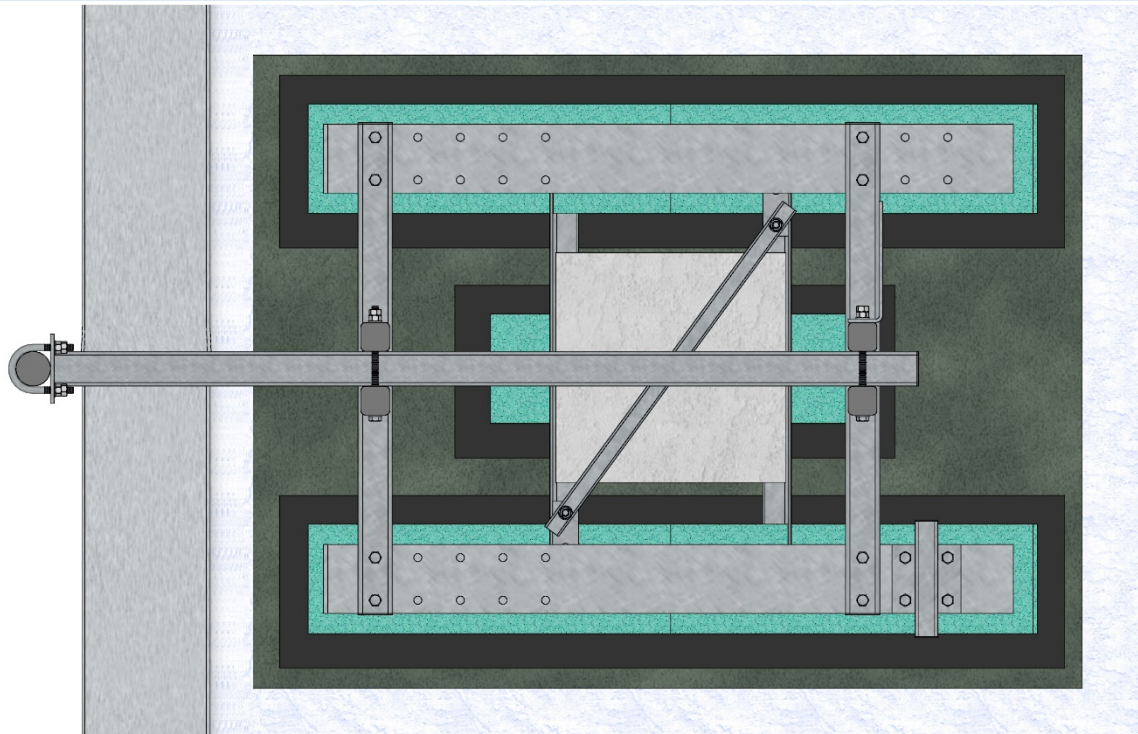


i Insert antenna support set through the 2x prepared *GR120-13-P30* supports and make certain tightening of prepared bolts 4x *M12x200*

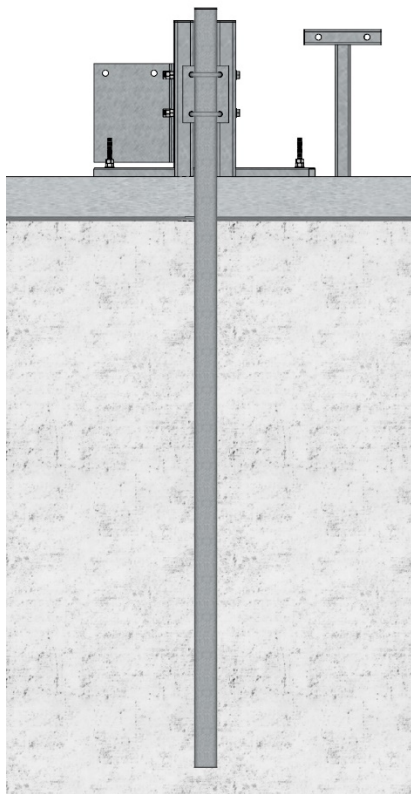


7. LAYOUT DRAWING

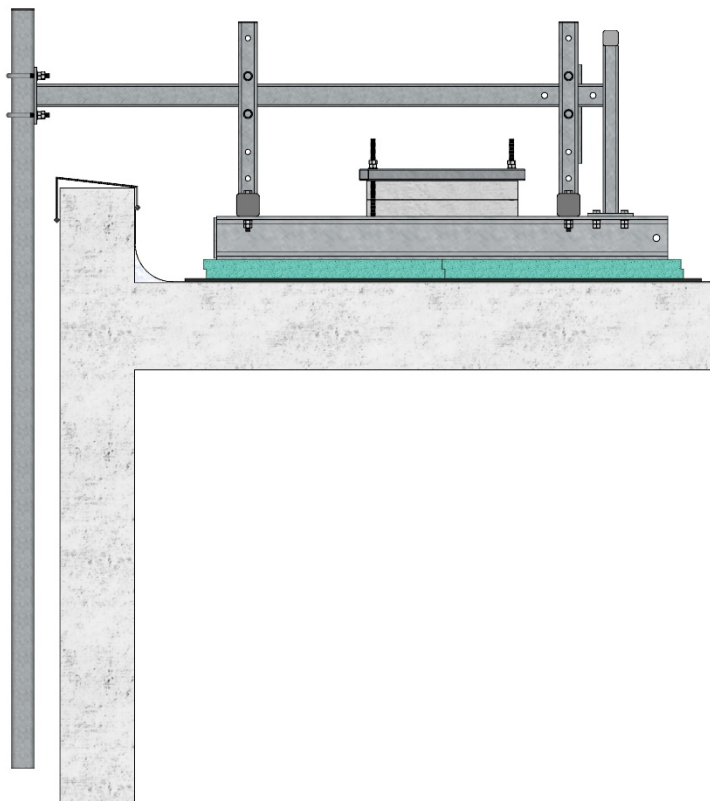
i Top view



i Front view



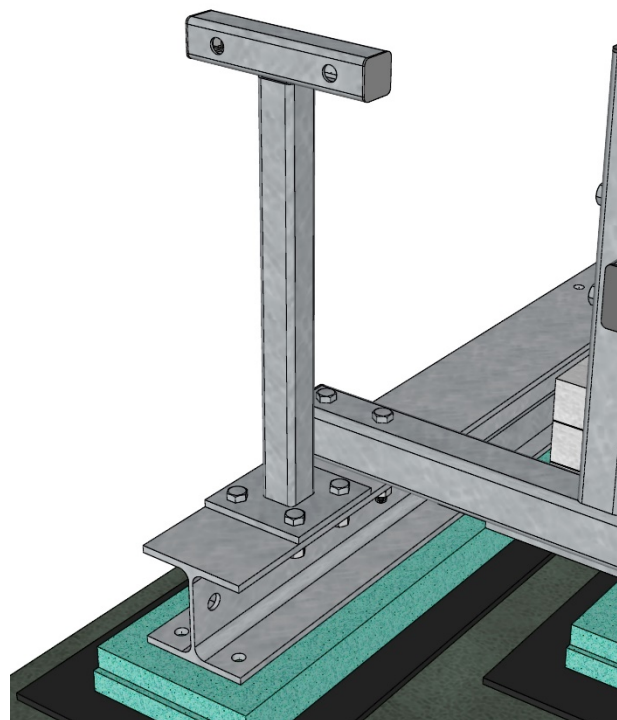
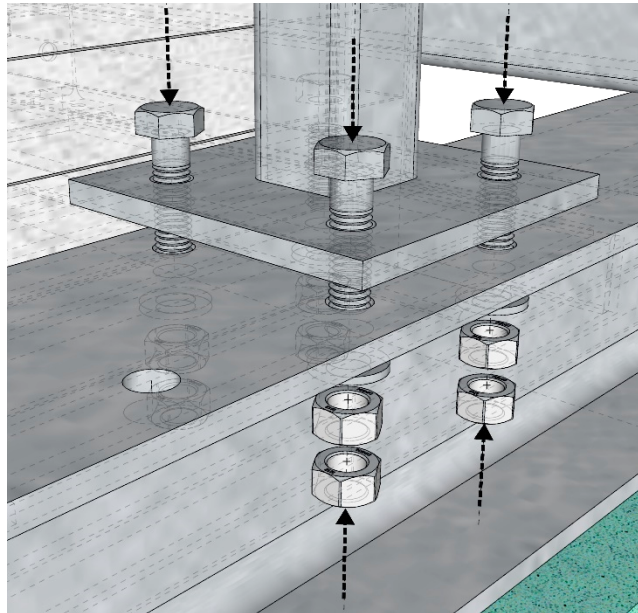
i Side view



8. RRU SUPPORT GR120-13-P35 - OPTIONAL

i Install RRU-support **GR120-13-P35** on the side of the **GR116-04** support using 4x M12x40

Note: order separately



9. RRU SUPPORT GR120-13-P33 - OPTIONAL

i Install RRU-support **GR120-13-P33** on the side of the frontal **GR120-13-P30** brackets

Note: order separately

