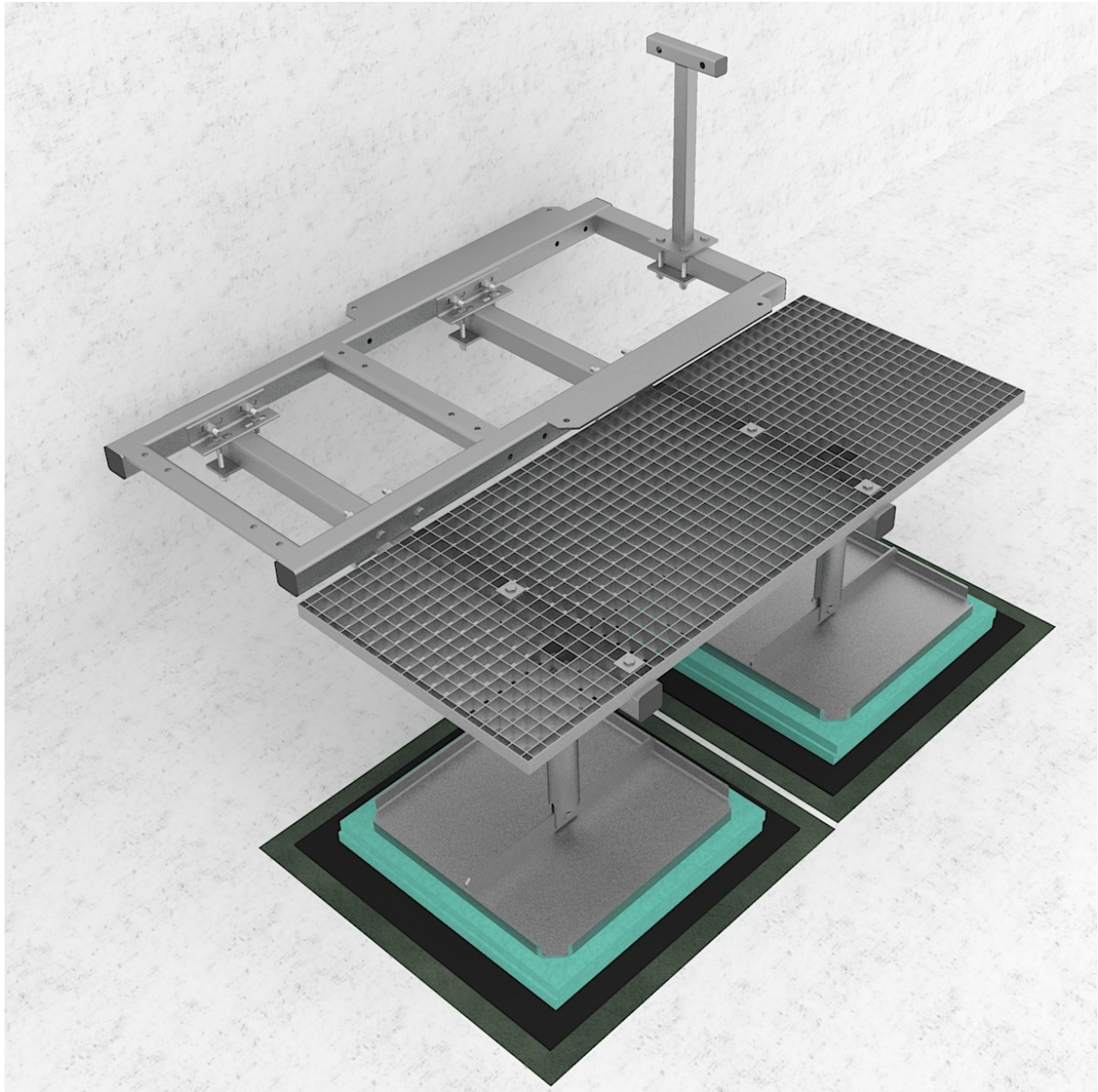


GR 129-03

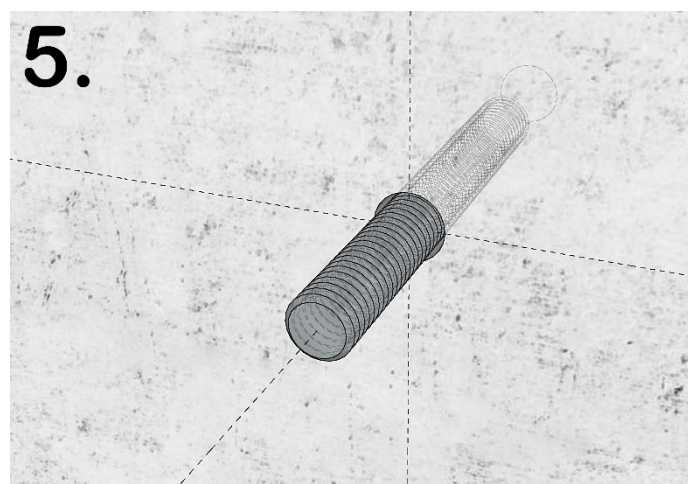
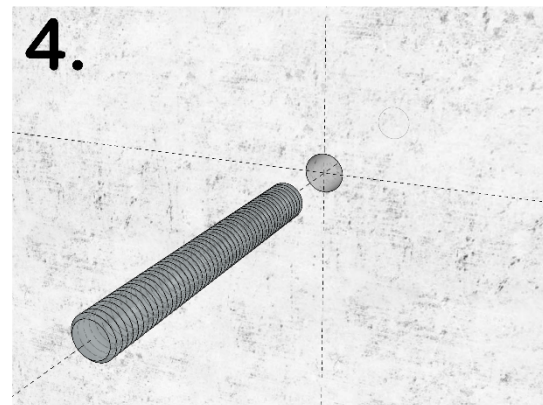
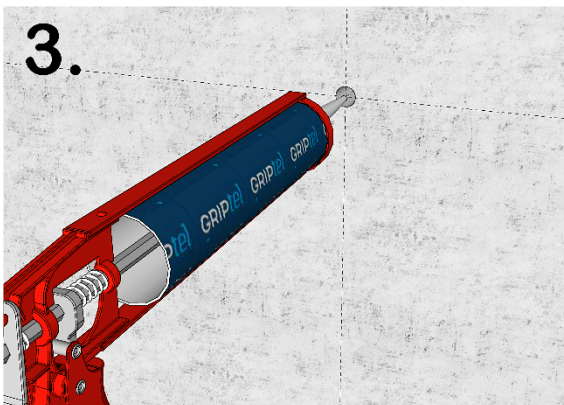
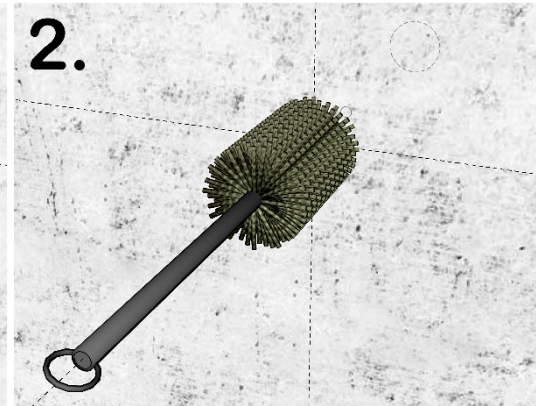
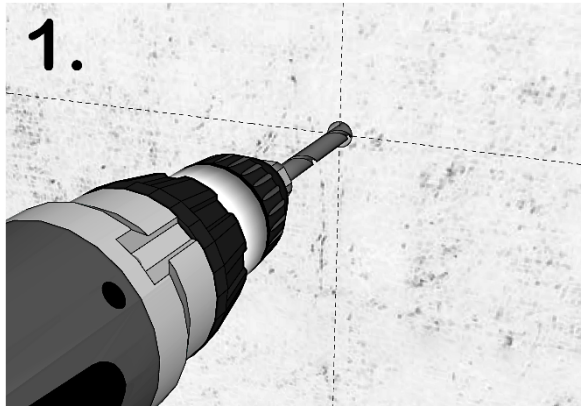
RAMME FOR 2STK RU/LR M/PLATTFORM - 1,44M

OVERVIEW



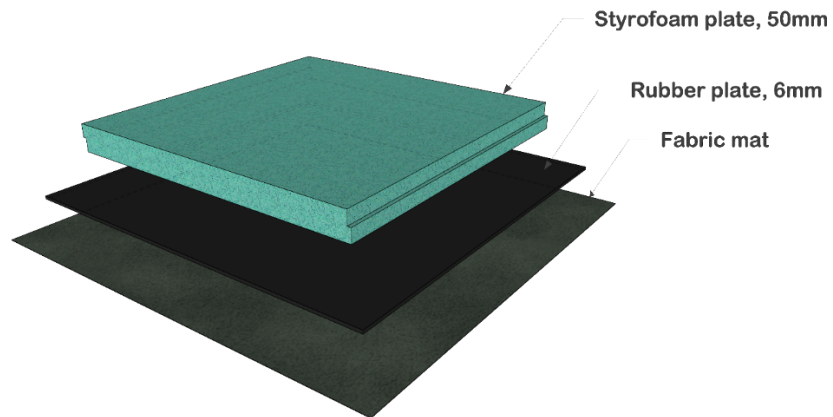
1. PREPARING FOR THE INSTALLATION IN THE SOLID WALL

- i**
1. Drill hole to specified diameter and depth
 2. Blow out the dust and clean dust and debris using brushing
 3. Inject adequate MULTICOMPOUND/ Order from our web-shop: "[Pluggmasse/Pluggmasse MSC](#)"
(if the type of the wall requires, use appropriate anchors/ Order from our web-shop: "[SIHYLSTER](#)")
 4. Insert threaded rod and cut excess part of the stud



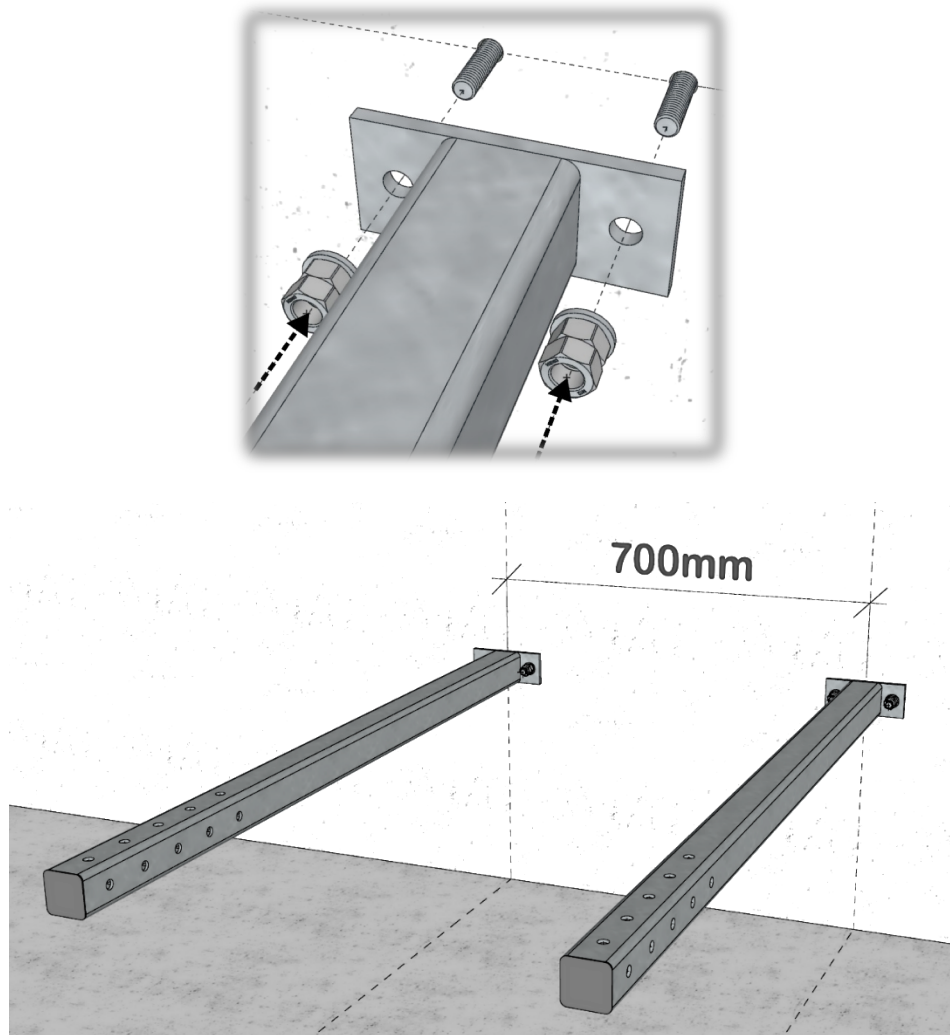
2. PREPARE FLORING

i Protect the surface from the damaging using Styrofoam plate, rubber surface and fabric mat below each supporting plate



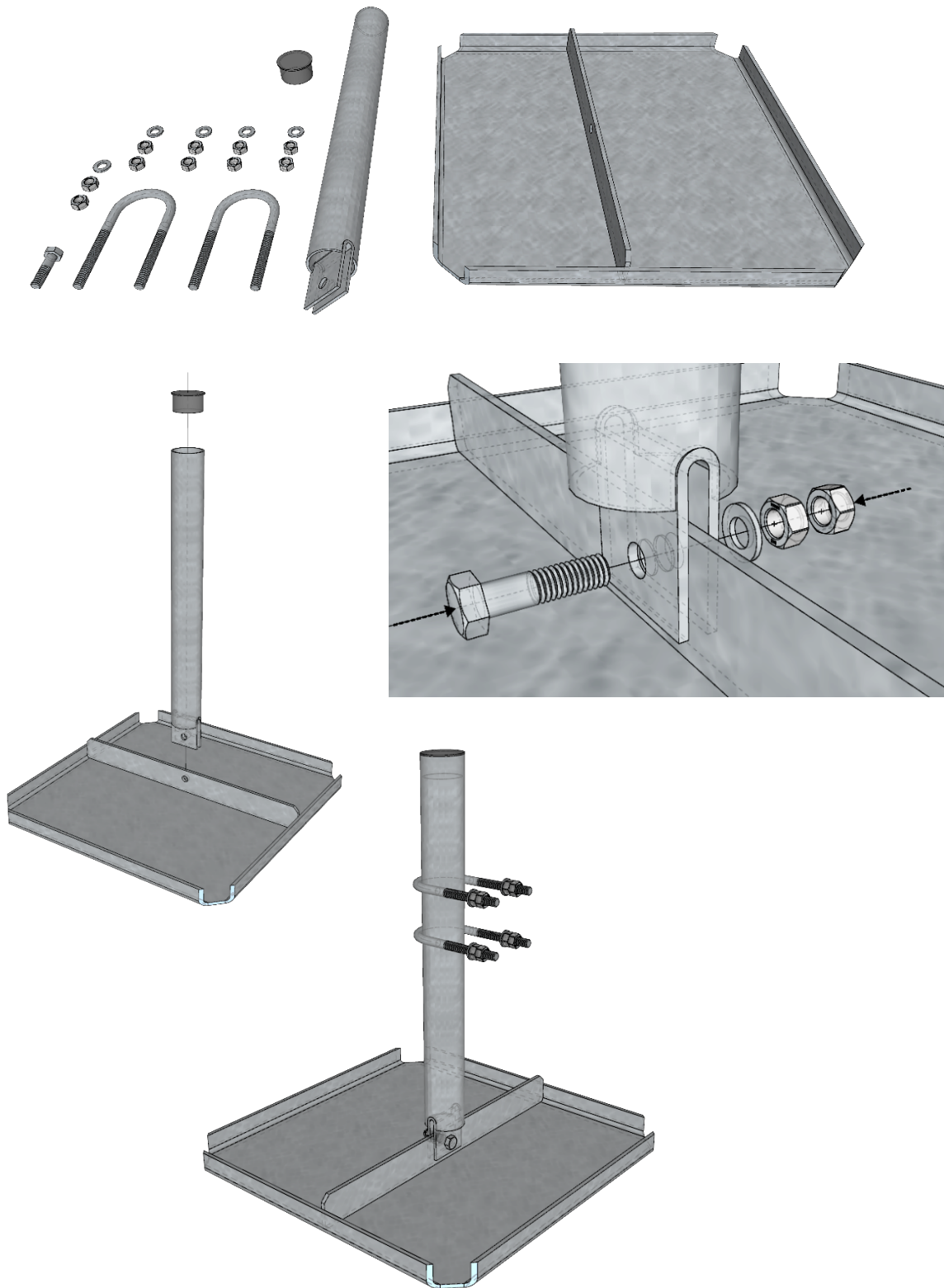
3. SUPPORTING HORIZONTAL BEAM

i Install 2x horizontal beam **GR120-04-P15** on the prepared chemical anchors on the wall;
(Recommended: Distance between two beams is 700mm for Platform GR129-01)
Determine the proper height on the spot;



4. Lastfordelende plate m. Ø60 rør - L=600mm; GR120-11-P19

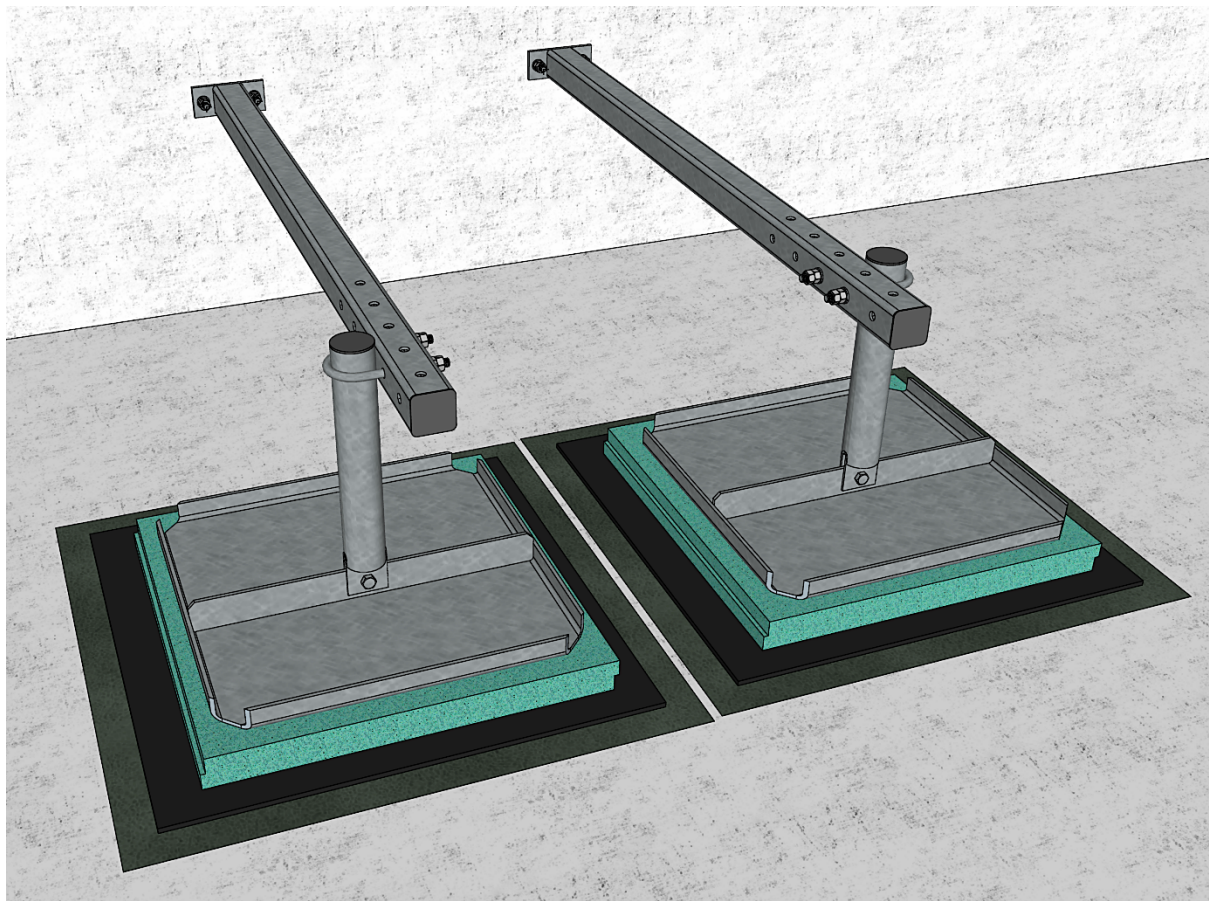
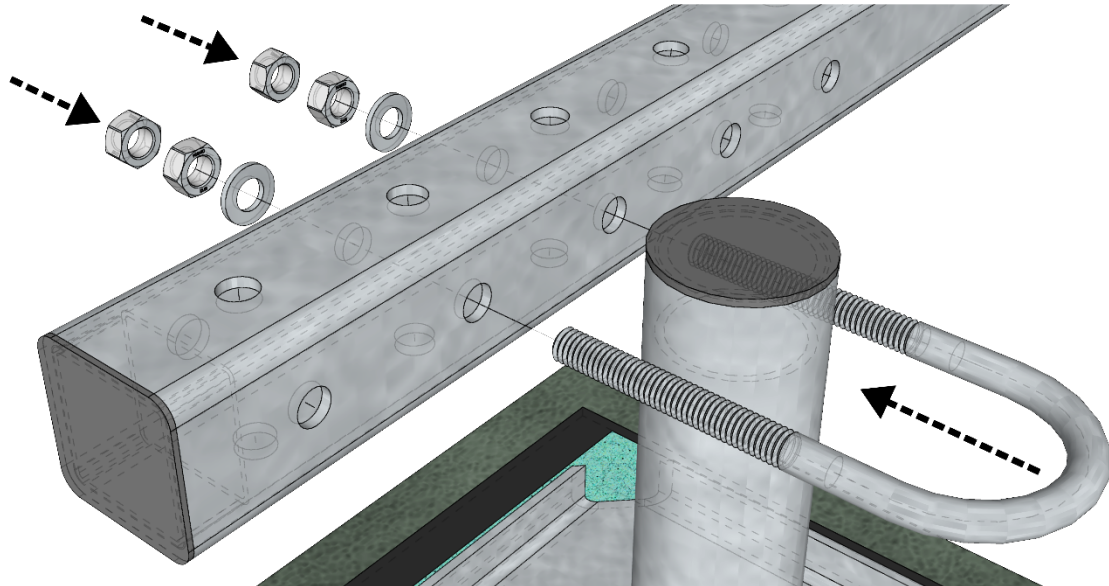
- i** Place the central tube to the vertical position on the base frame;
Cut excess part of the tube after installation;



5. VERTICAL SUPPORTS

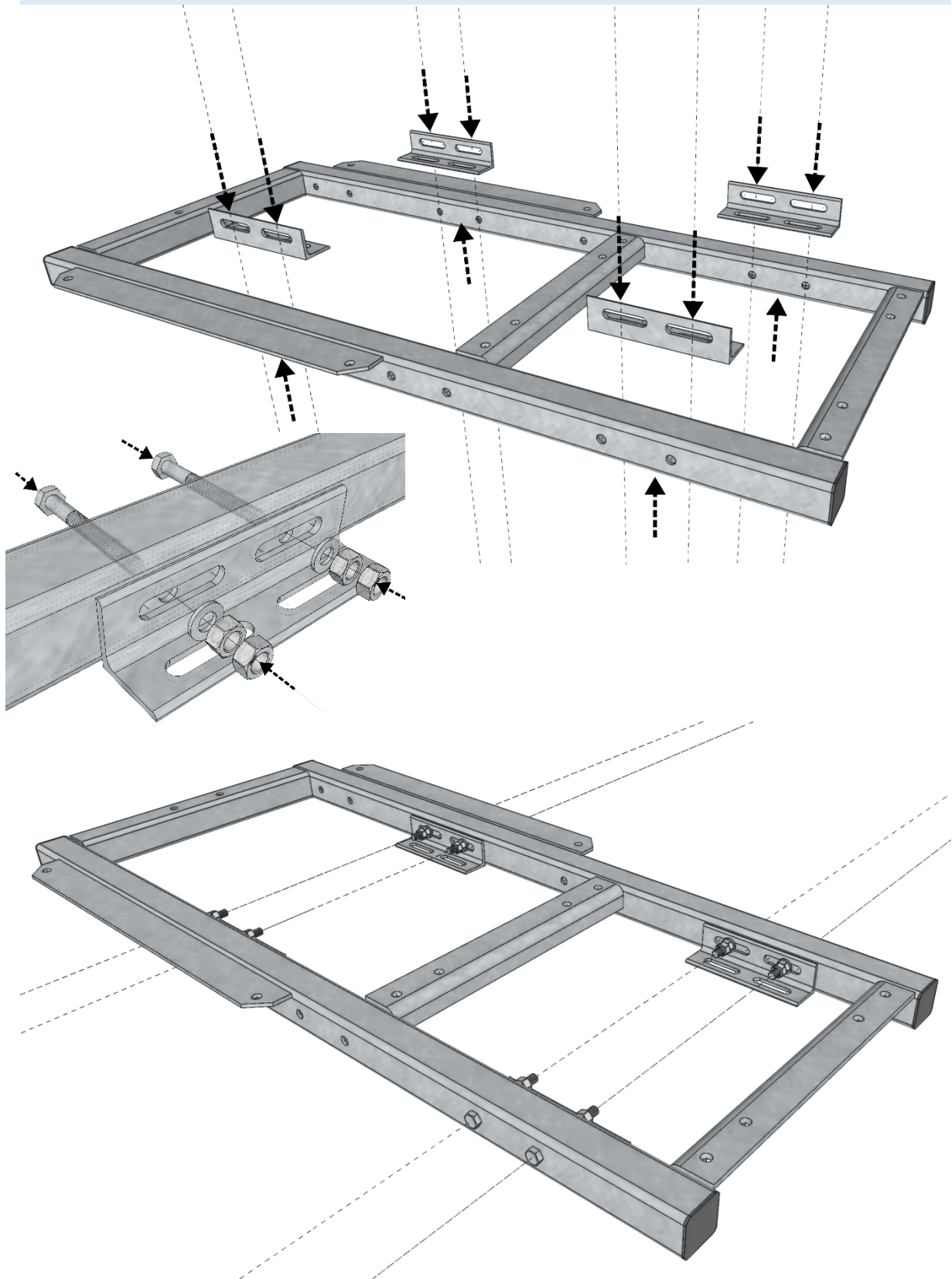
i Install 2x **GR120-11-P19** vertical supports with mounting plate to horizontal beams **GR120-04-P15**
(Exact position will be determined during installation)

Supporting pipes needs to be cut and level with top of the horizontal supporting beam



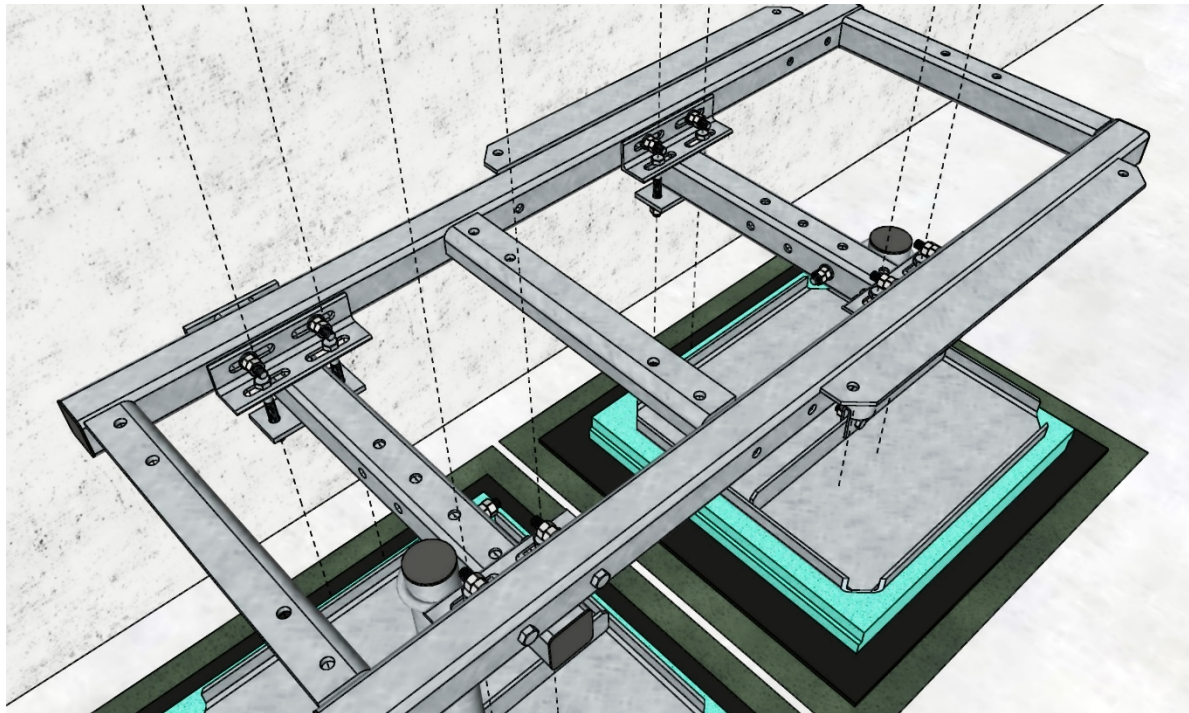
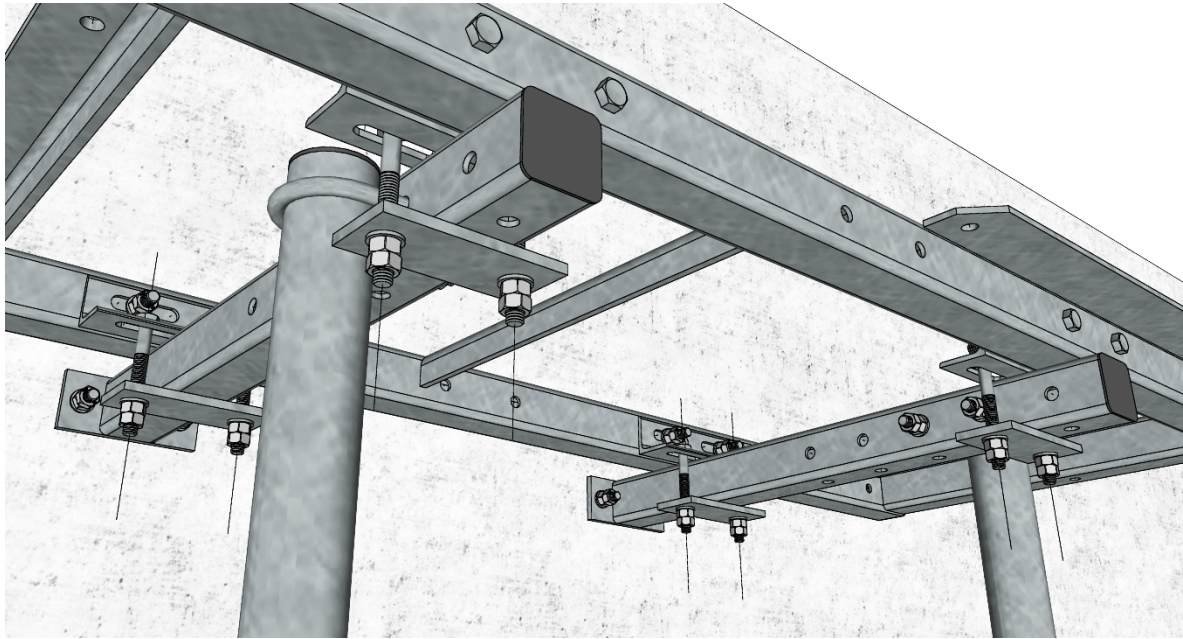
6. EQUIPMENT FRAME

i Prepare frame **GR120-12-P26** by adding 4x fixing brackets **GR120-04-P60** using 8x M12x90 bolts
(Distance between fixing brackets should follow distance between horizontal beams – 700mm)



MOUNTING INSTRUCTION

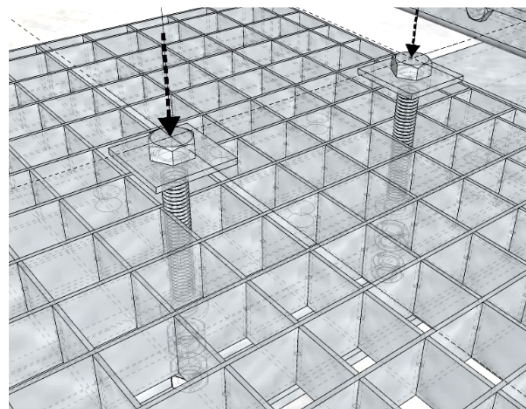
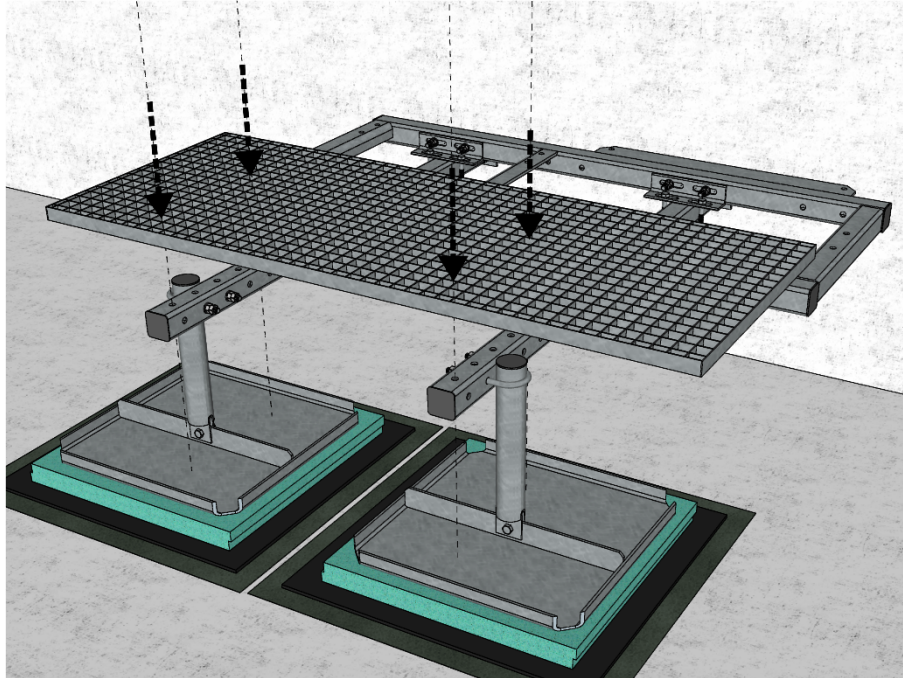
i set the frame for equipment(pos25) over beams



7. STEEL LATTICE PLATFORM

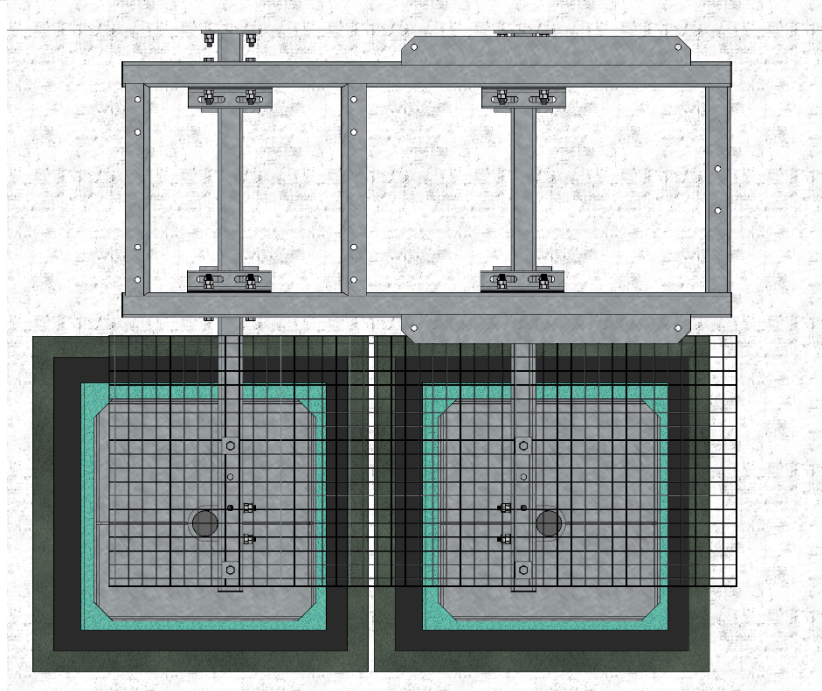
i Set steel lattice platform **GR120-15-P56** over the horizontal beams and attach them directly to the beams using 4x M12x100 bolts and square washers on the top side (use counter bolts)

Note: Bolts, Nuts and Washers are not included

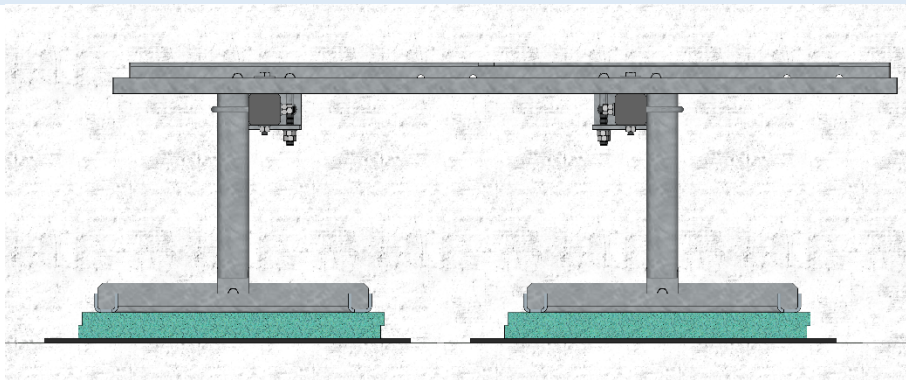


8. LAYOUT DRAWING

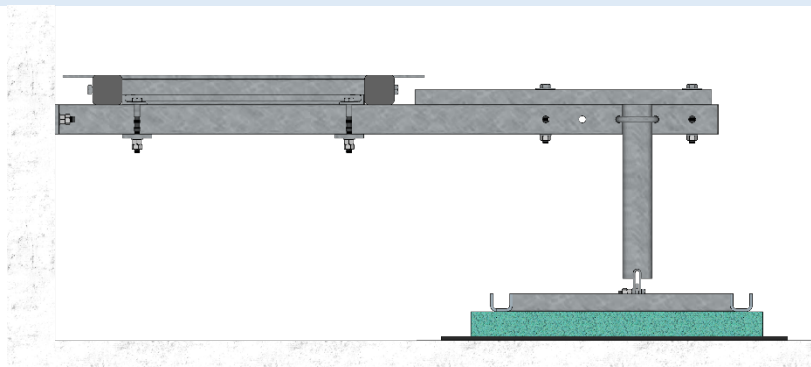
i Top view



i Front view



i Side view



9. RRU SUPPORT - OPTIONAL

i Install RRU-support **GR120-13-P35** on the side of the GR129-03 steel platform using 4x M12x100

Note: order separately

