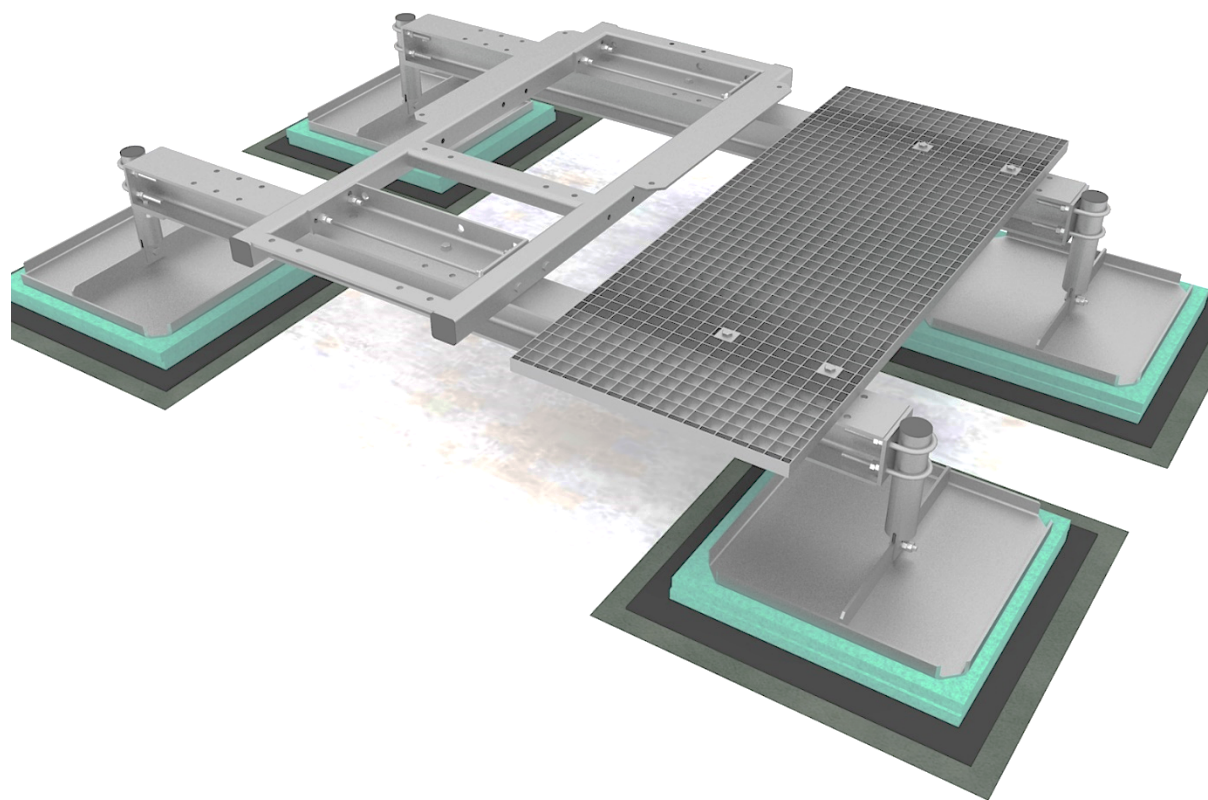


GR 129-07

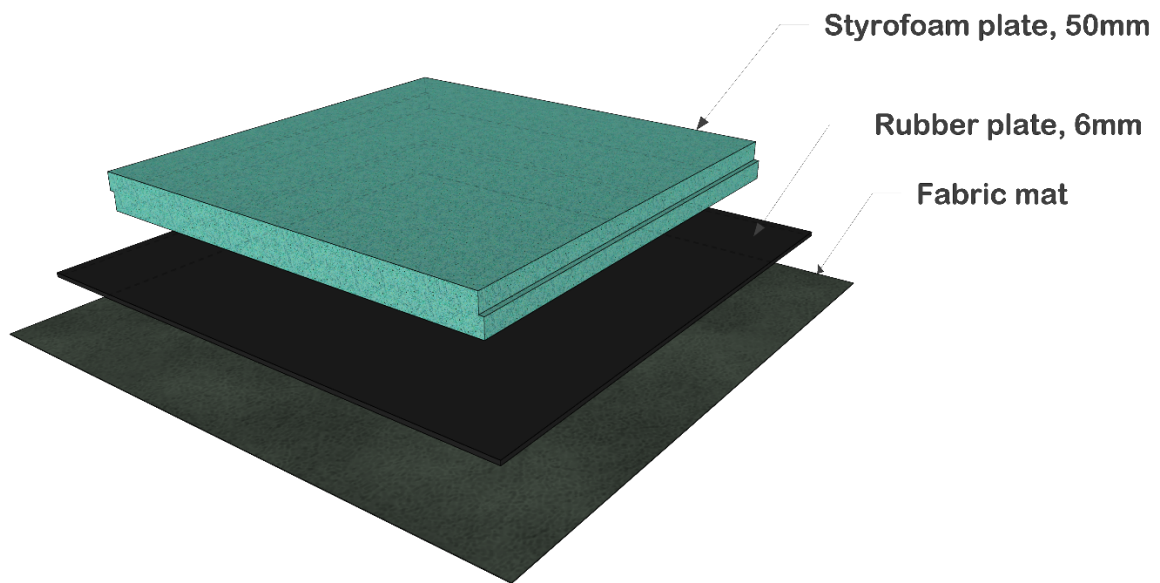
RAMME PÅ TAK 2 STK BJELKER A 2M

OVERVIEW



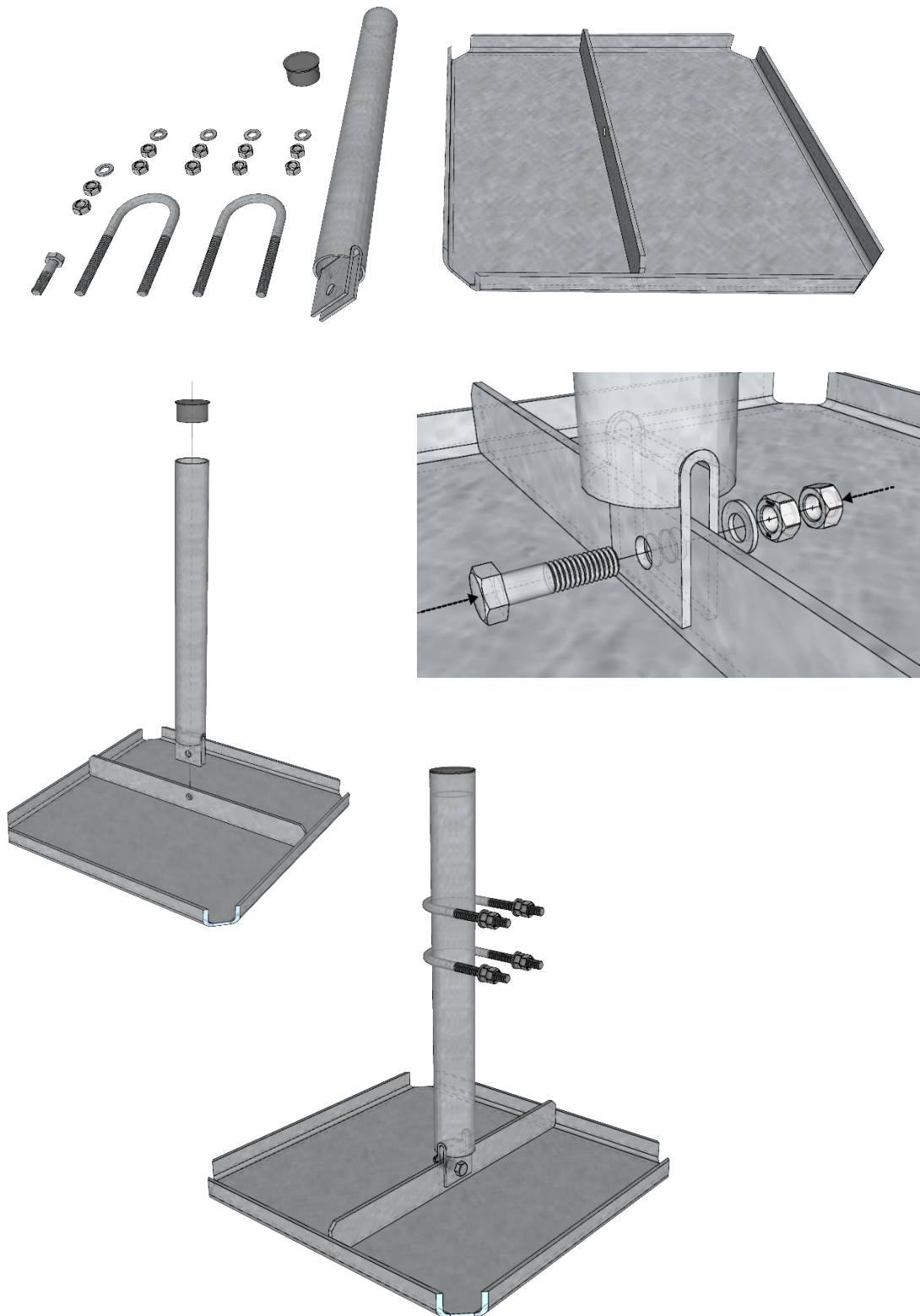
1. PREPARE FLORING

i *Protect the surface from the damaging using Styrofoam plate, rubber surface and fabric mat below each supporting plate*



2. Lastfordelende plate m. Ø60 rør - L=600mm; GR120-11-P19

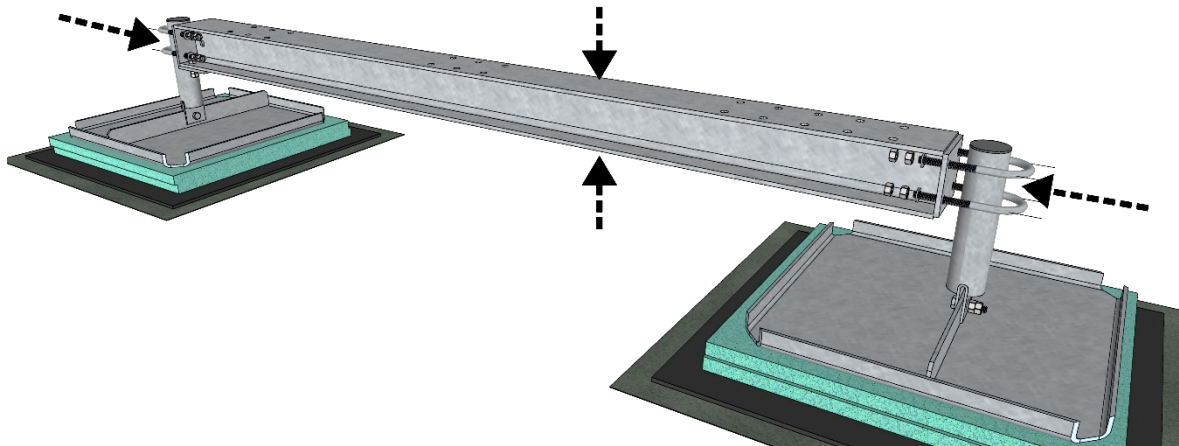
- i** Place the central tube to the vertical position on the base frame;
Cut excess part of the tube after installation;



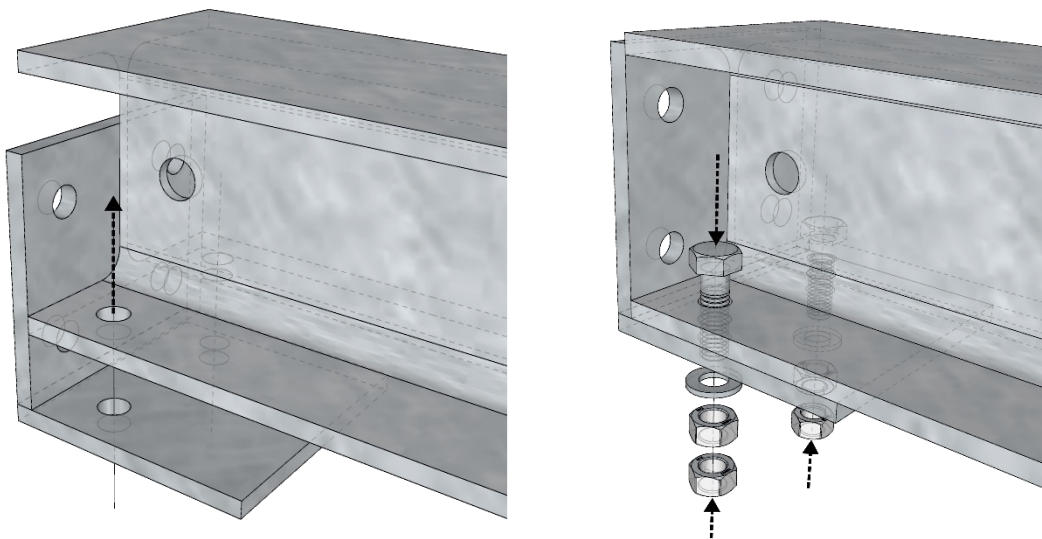
3. VERTICAL SUPPORTS

- i** Attach 4x **GR120-11-P19** vertical supports to horizontal beams **GR120-10-P04**
(Exact height of the main horizontal beam will be determined during installation)

Supporting pipes needs to be cut and level with top of the horizontal supporting beam

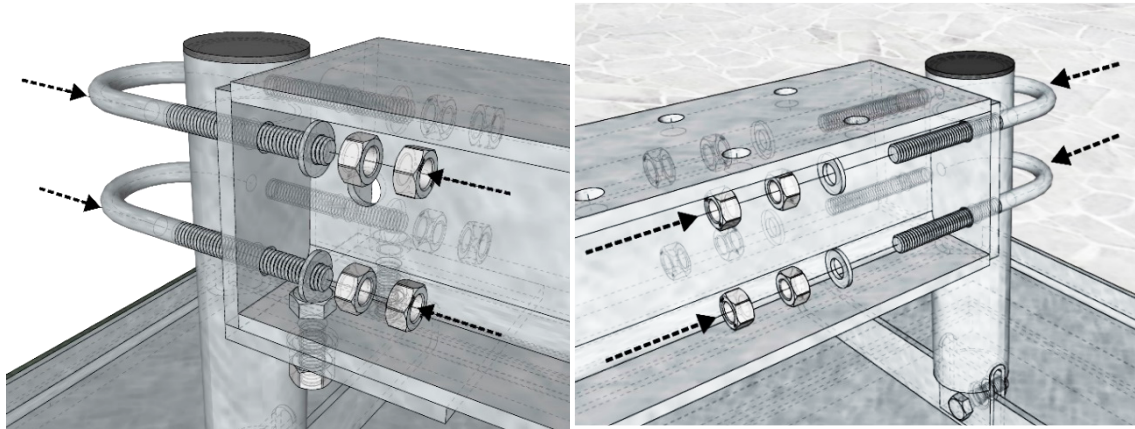


- i** Install 1x back support **GR120-16-P53** on each end of the main horizontal beam using M12x40 bolts

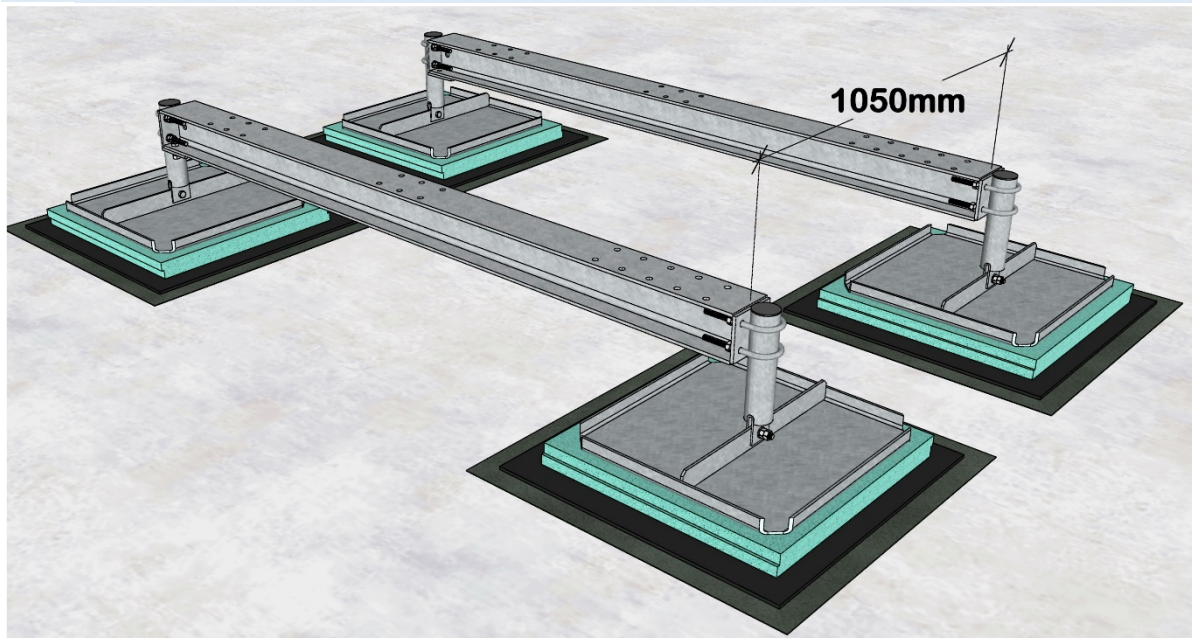


MOUNTING INSTRUCTION

i Make connection between vertical supports and main horizontal beams using prepared U-bolts

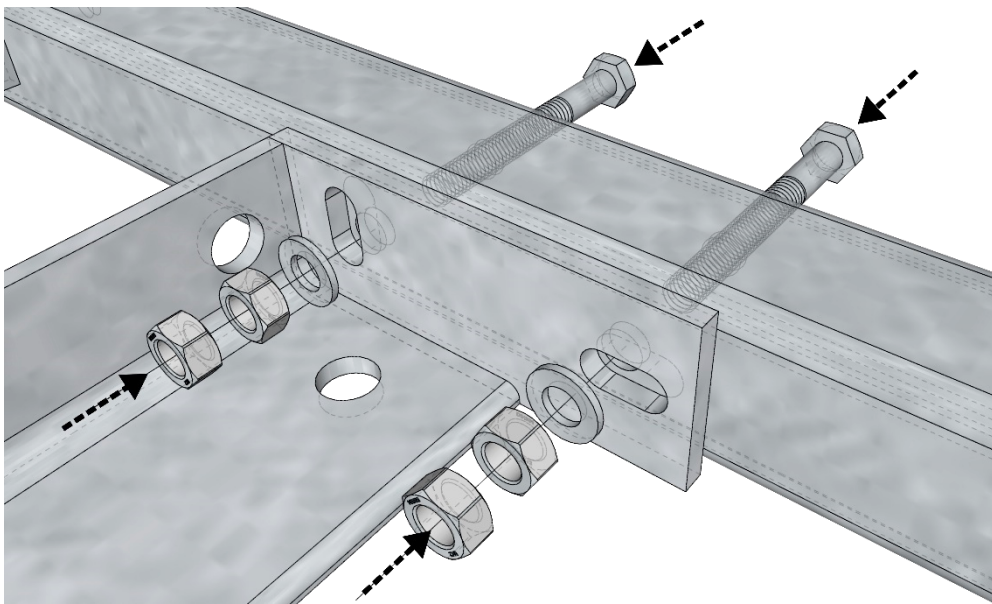
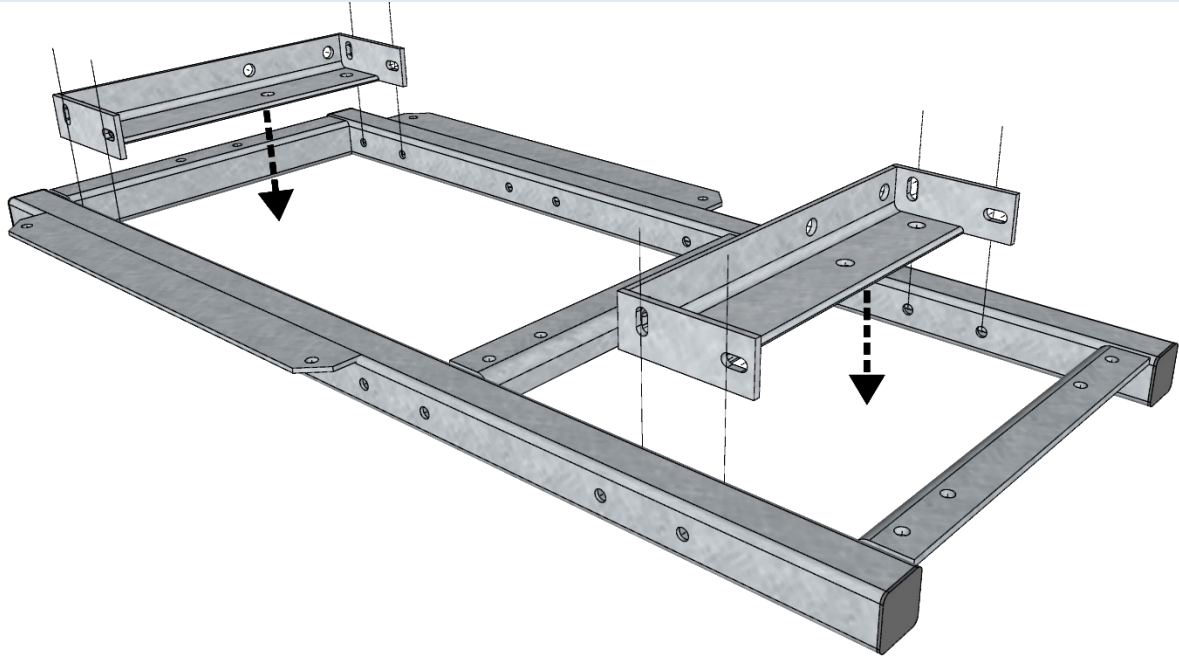


i Recommended distance between 2x main beams should be 700/1050mm (see drawing below)



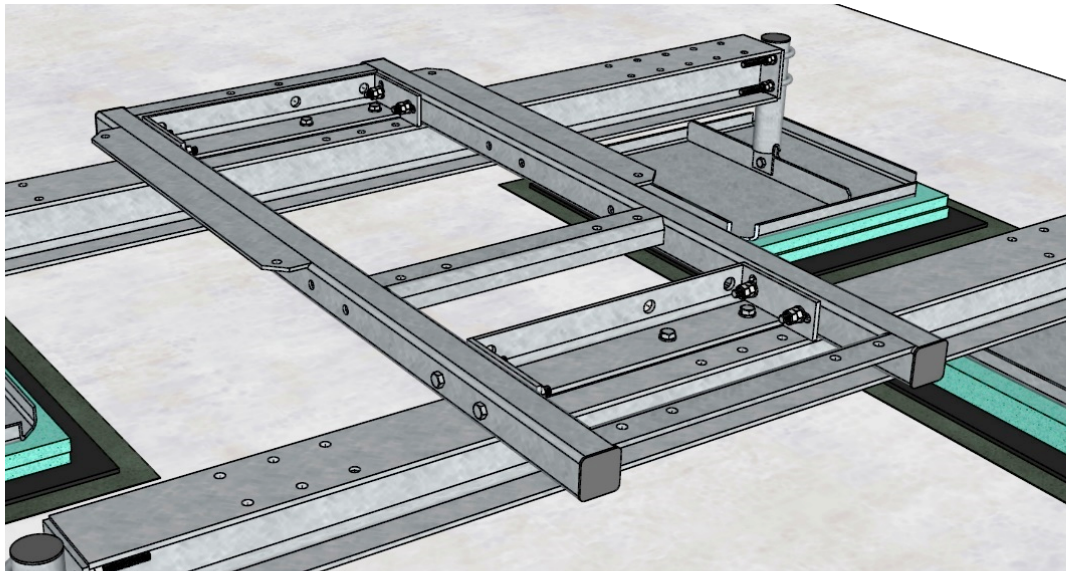
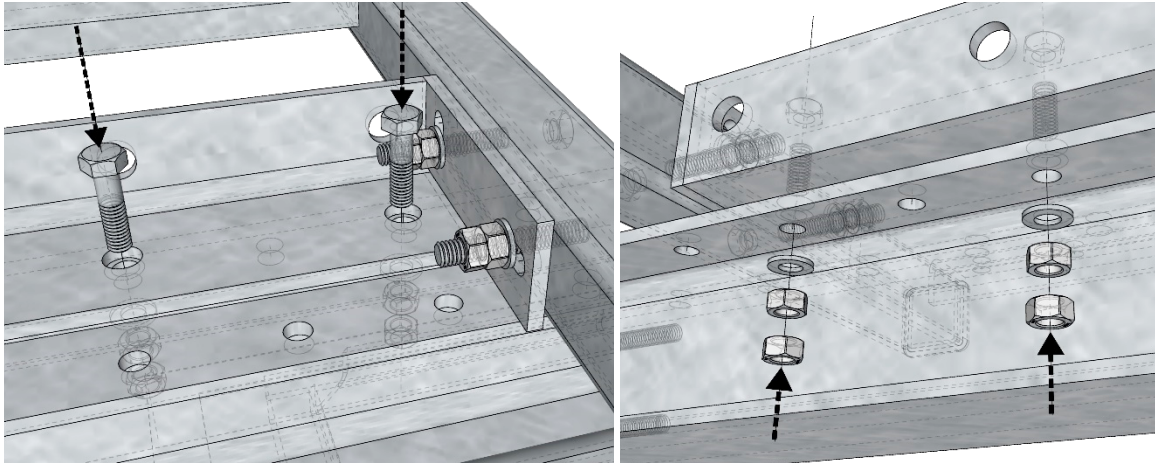
4. EQUIPMENT FRAME

i Prepare frame **GR120-12-P26** by adding 2x fixing brackets **GR120-10-P09** and support them using 8x M12x100 bolts
(Distance between fixing brackets should follow recommended distance between main horizontal beams – 1050mm)



MOUNTING INSTRUCTION

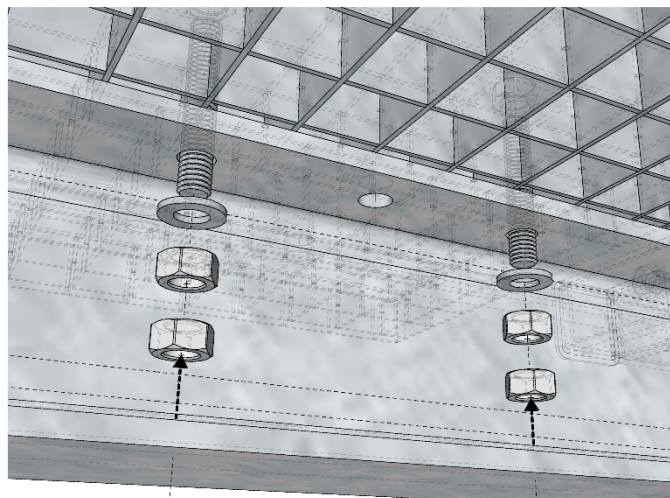
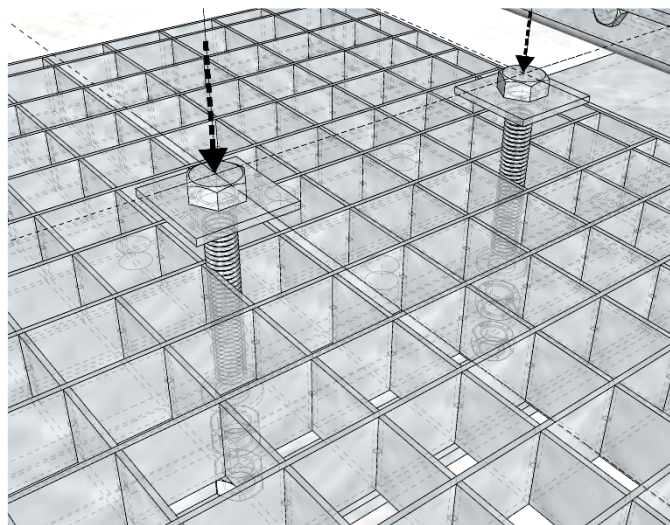
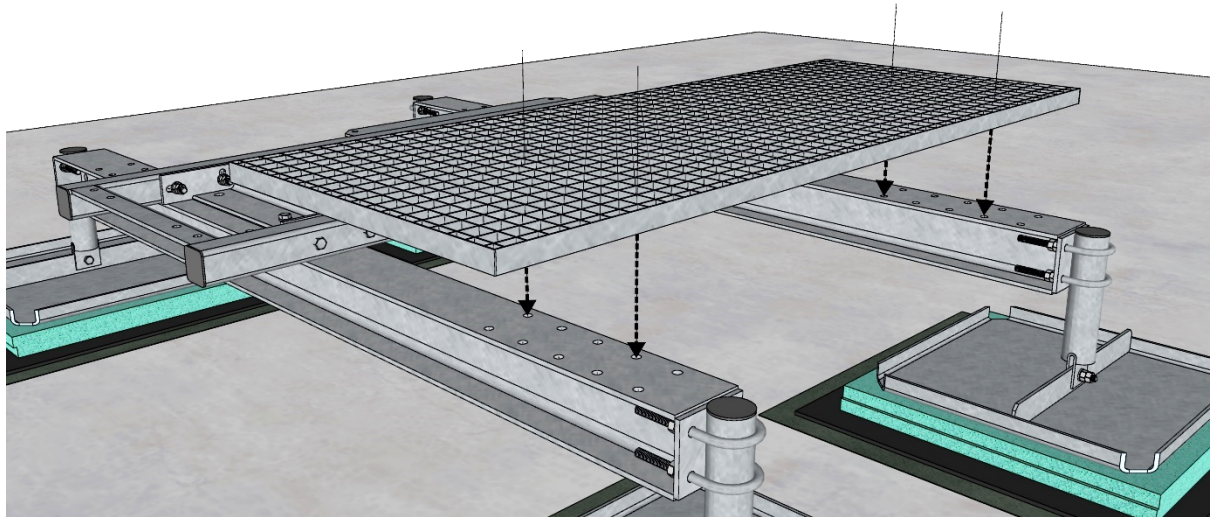
i set the frame for equipment over beams using 4x M12x40 bolts



5. STEEL LATTICE PLATFORM

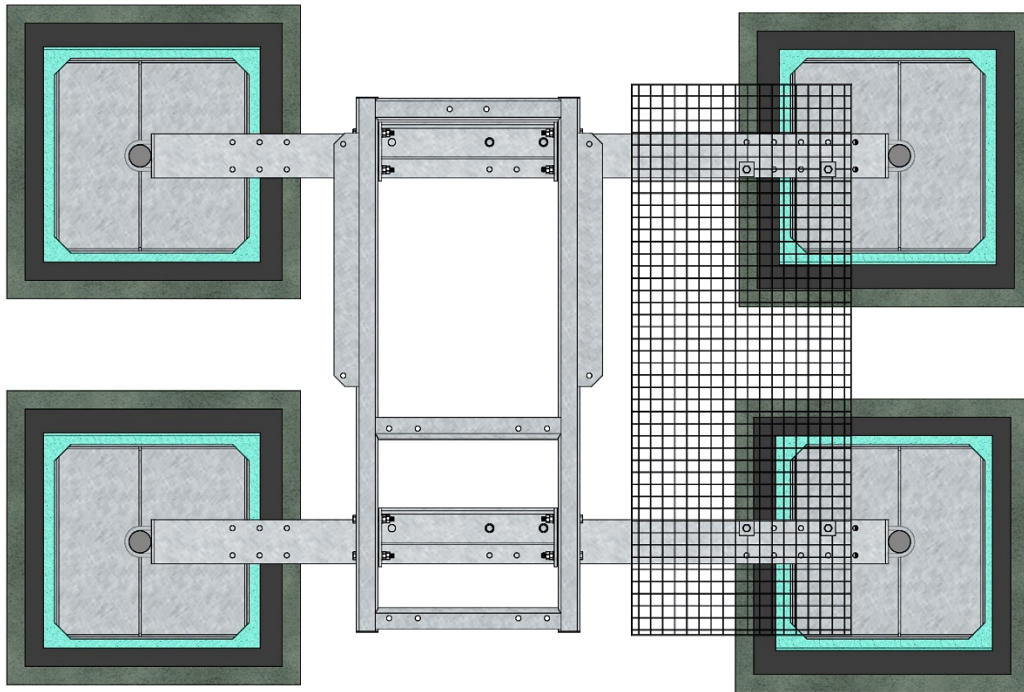
i Set steel lattice platform **GR120-15-P56** over the horizontal beams and attach them directly to the beams using 4x M12x100 bolts and square washers on the top side (use counter bolts)

Note: Bolts, Nuts and Washers are not included

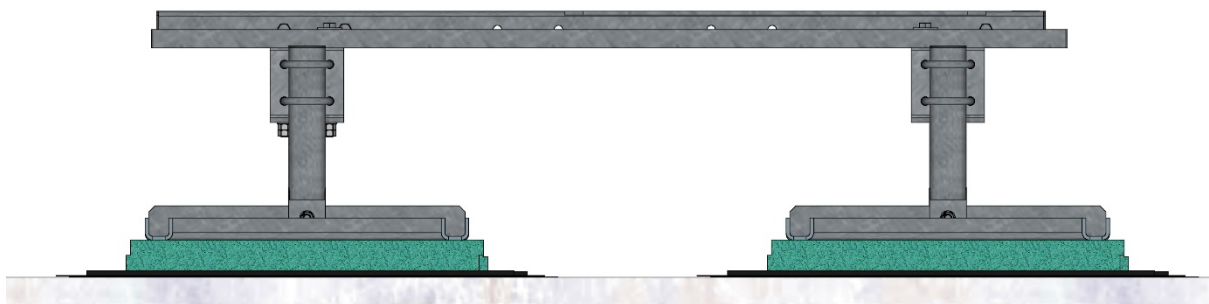


6. LAYOUT DRAWING

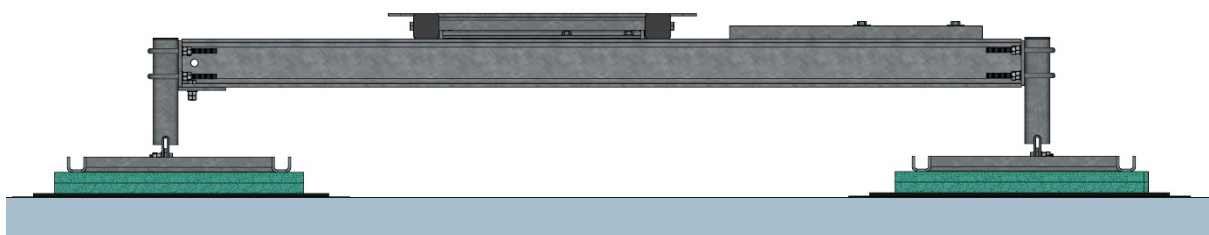
i Top view



i Front view



i Side view



7. RRU SUPPORT - OPTIONAL

i Install RRU-support **GR120-13-P35** on the side of the **GR129-07** steel platform using 4x M12x100

Note: order separately

