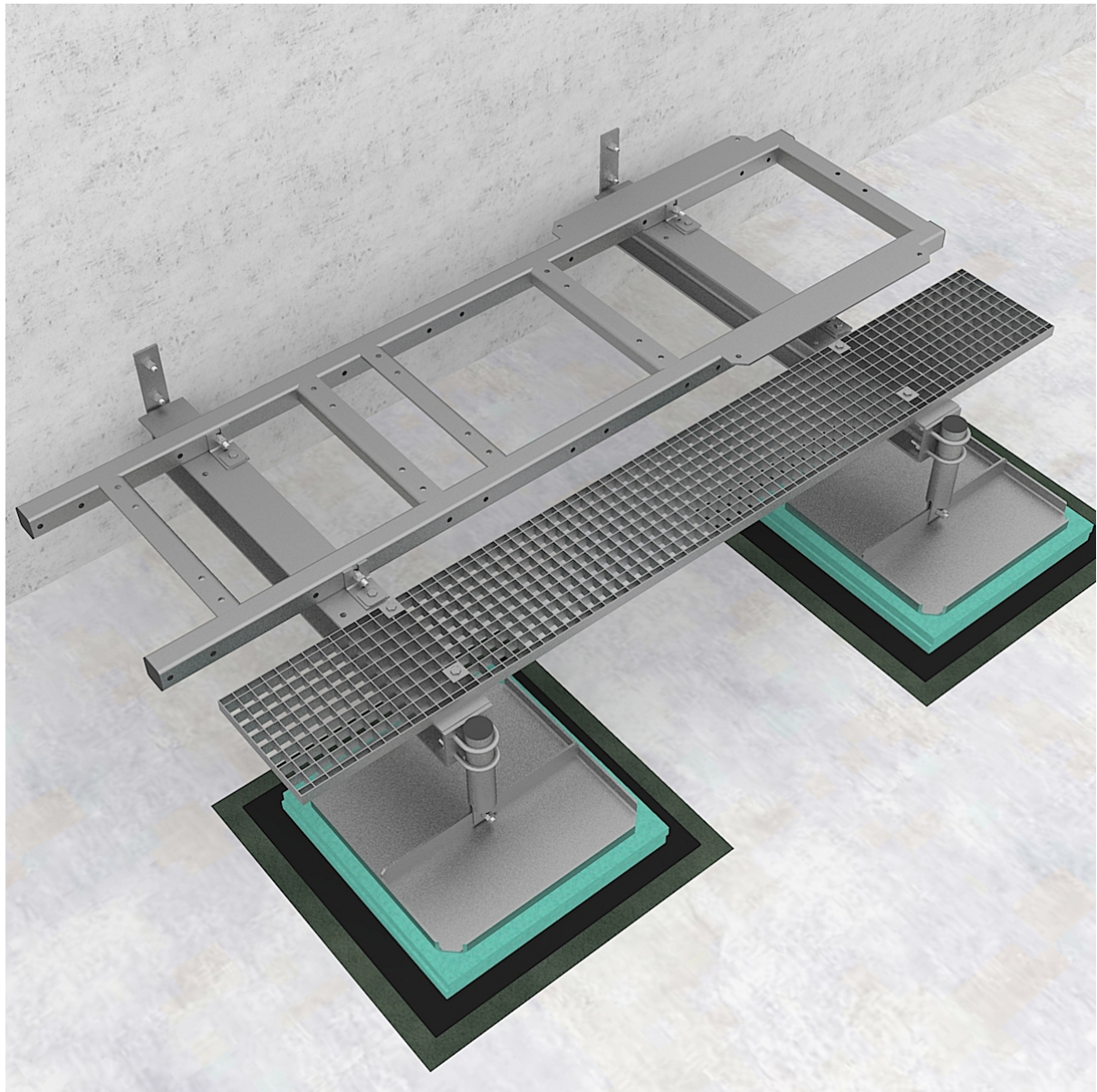


GR 129-11

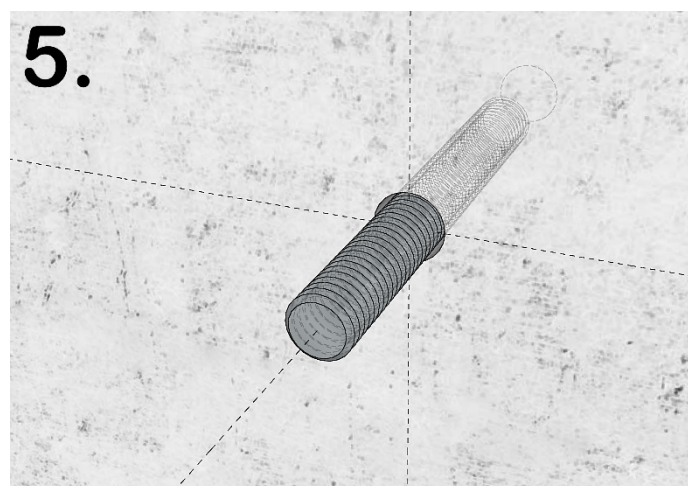
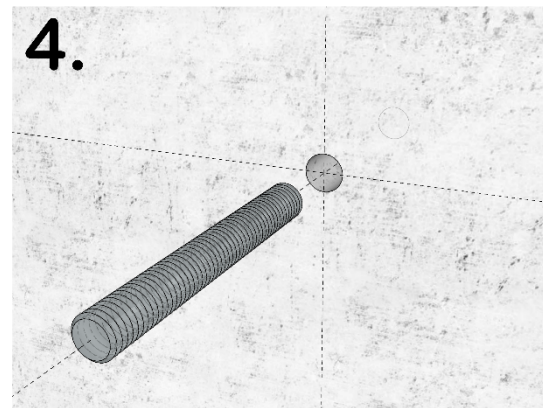
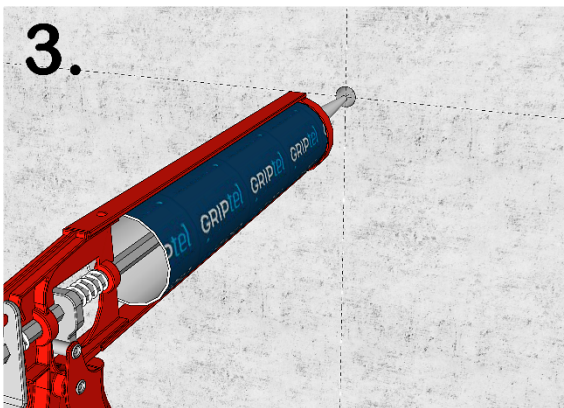
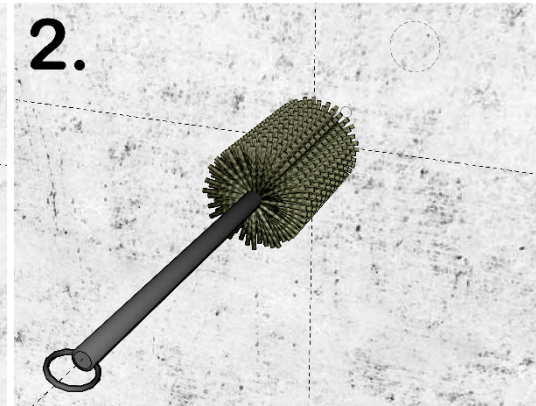
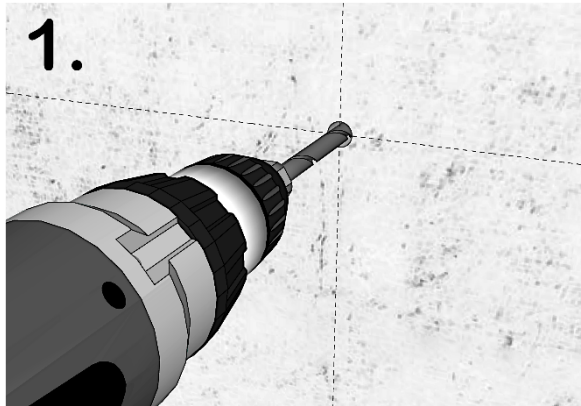
RAMME PÅ VEGG FOR RU/LR UTSTYR – 2 STK BJELKER 1,2M M/PLATTFORM

OVERVIEW



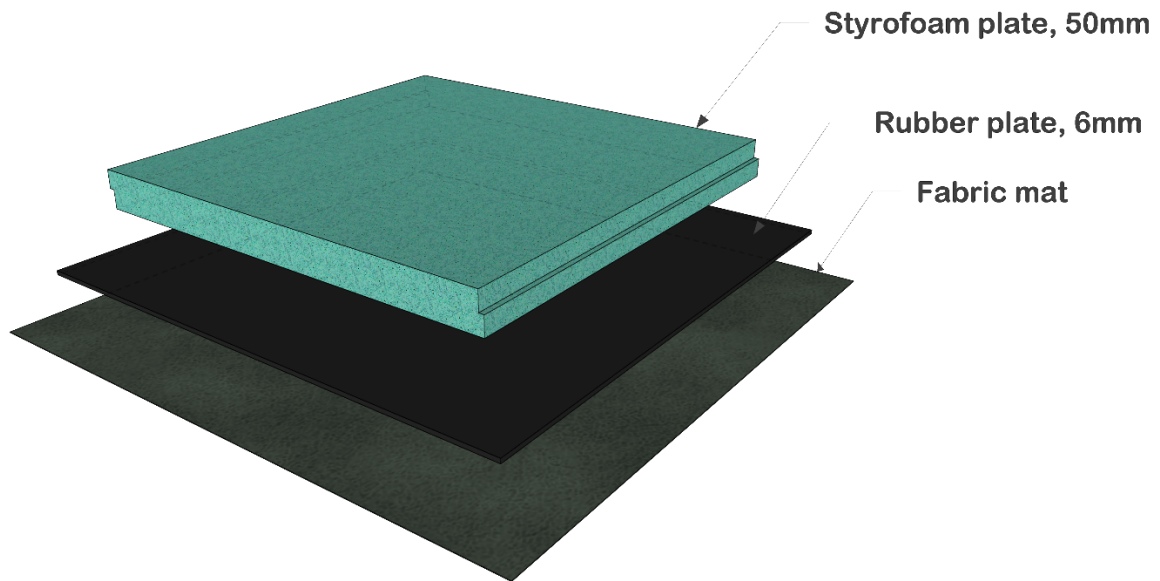
1. PREPARING FOR THE INSTALLATION

- i**
1. Drill hole to specified diameter and depth
 2. Blow out the dust and clean dust and debris using brushing
 3. Inject adequate MULTICOMPOUND/ Order from our web-shop: "[Pluggmasse/Pluggmasse MSC](#)" (if the type of the wall requires, use appropriate anchors/ Order from our web-shop: "[SIHYLSTER](#)")
 4. Insert threaded rod and cut excess part of the stud



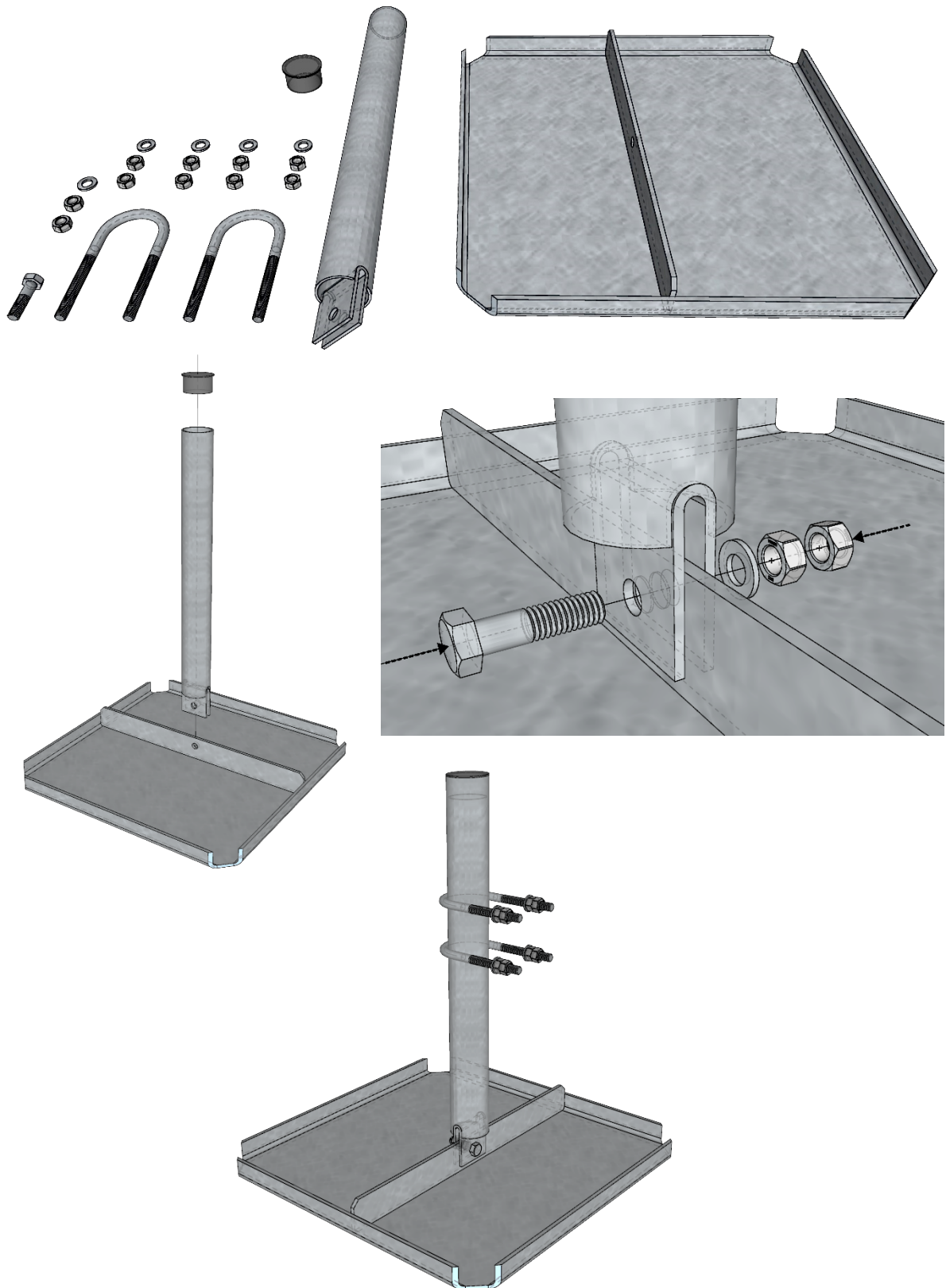
2. PREPARE FLORING

i *Protect the surface from the damaging using Styrofoam plate, rubber surface and fabric mat below each supporting plate*



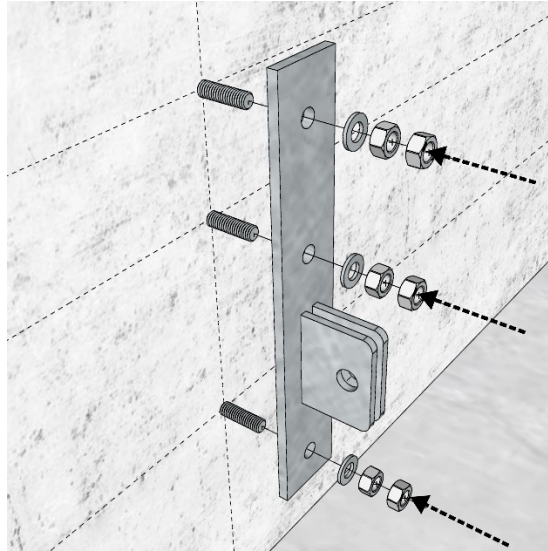
3. Lastfordelende plate m. Ø60 rør - L=600mm; GR120-11-P19

- i** Place the central tube to the vertical position on the base frame;
Cut excess part of the tube after installation;



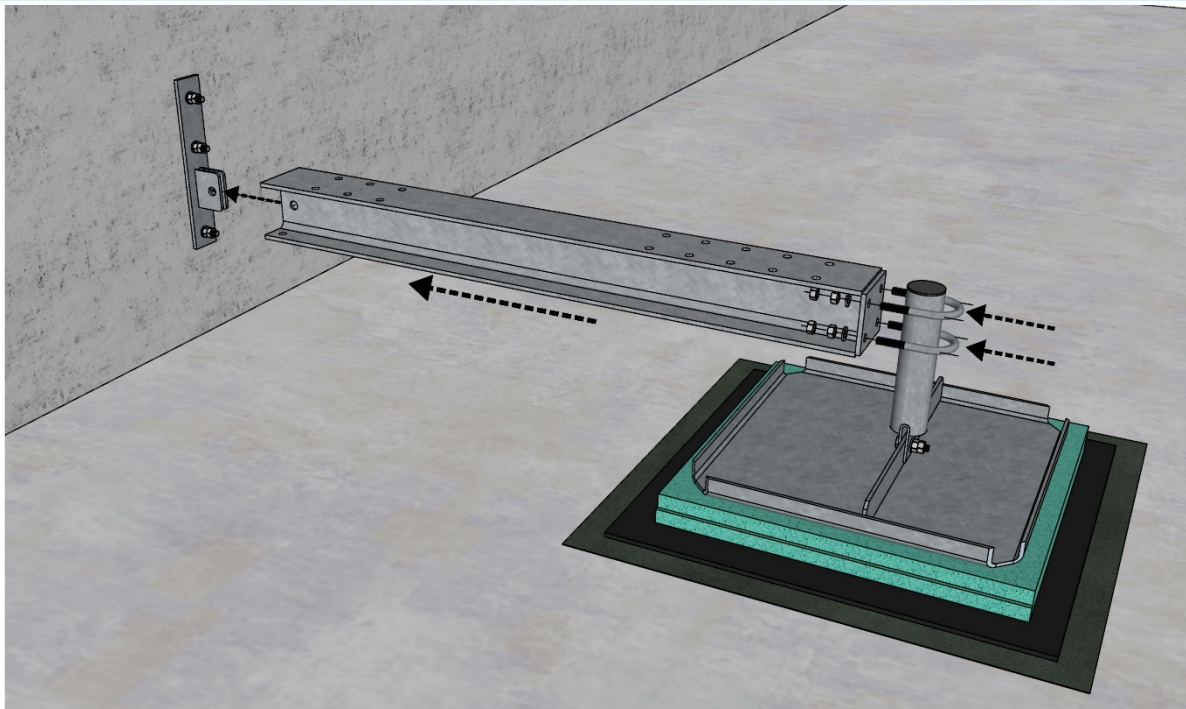
4. SUPPORTING WALL BRACKETS

i Install 2x wall brackets **GR120-11-P20** on the prepared chemical anchors on the wall;
(Recommended: Distance between two wall brackets 1400mm for Platform **GR129-11**)



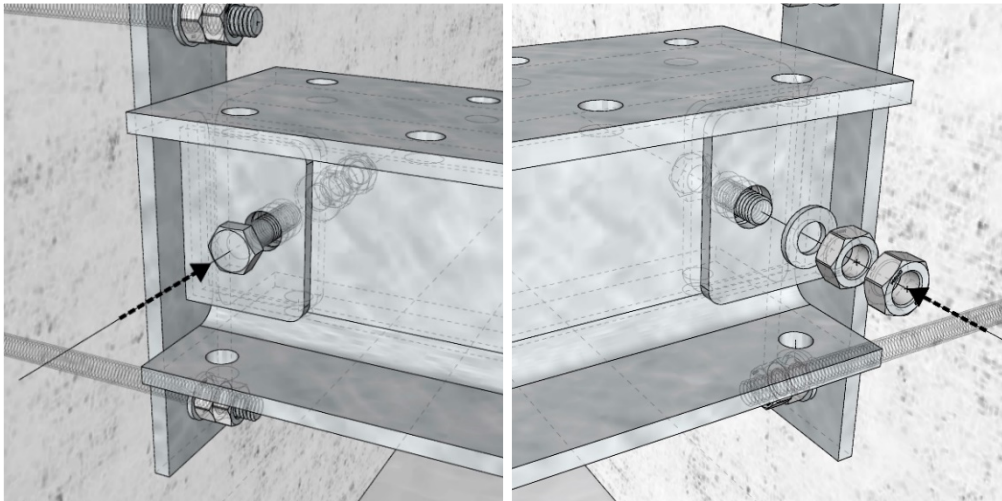
i Attach 2x **GR120-10-P02** horizontal beams to the prepared wall supports **GR129-10-P20** on the wall side and attach vertical support pipe **GR120-11-P19** on front end of the beam.

Supporting pipes needs to be cut and level with top of the horizontal supporting beam

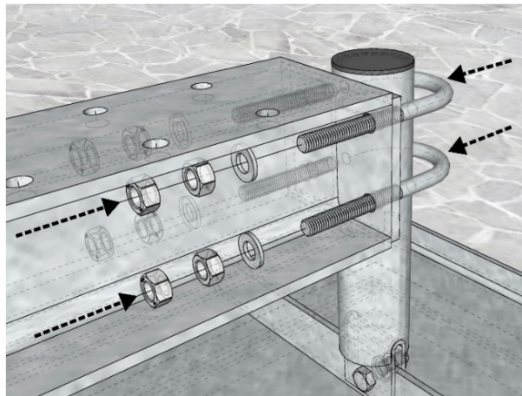


MOUNTING INSTRUCTION

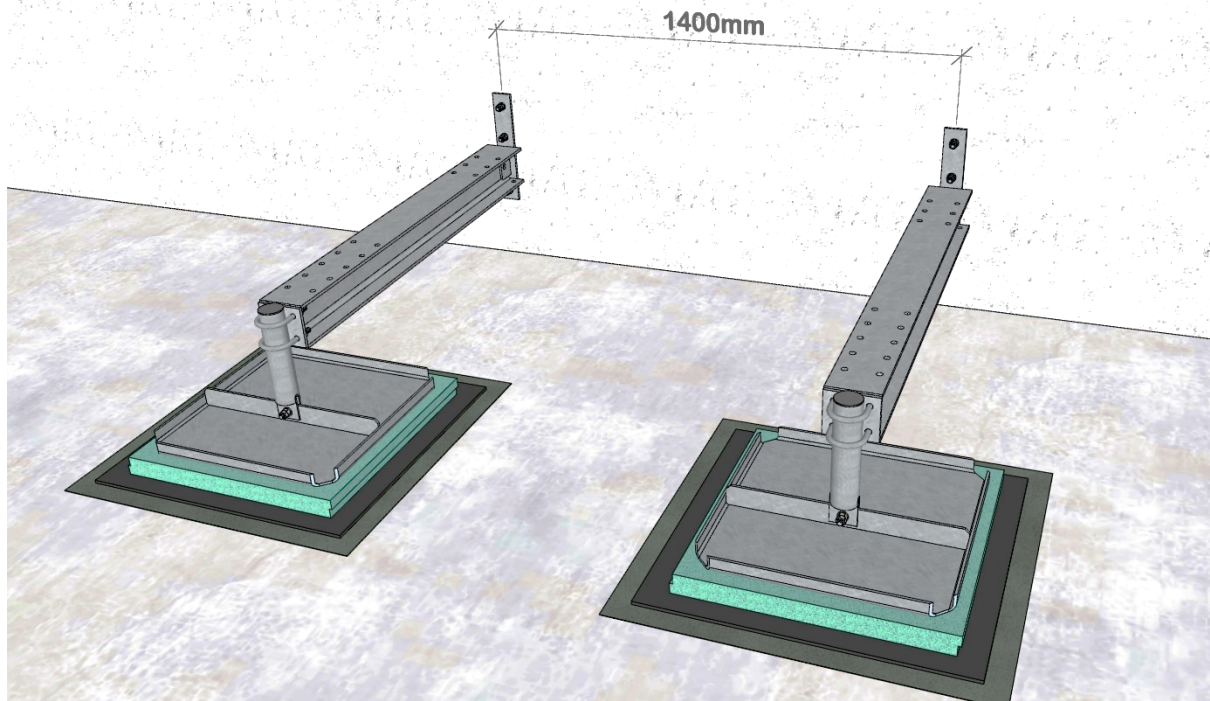
i Connect horizontal beam to the wall support using M12x40 bolt/ Use counter bolt



i Connect horizontal beam to the vertical support pipe using U-bolts from the GR120-11-P19 set

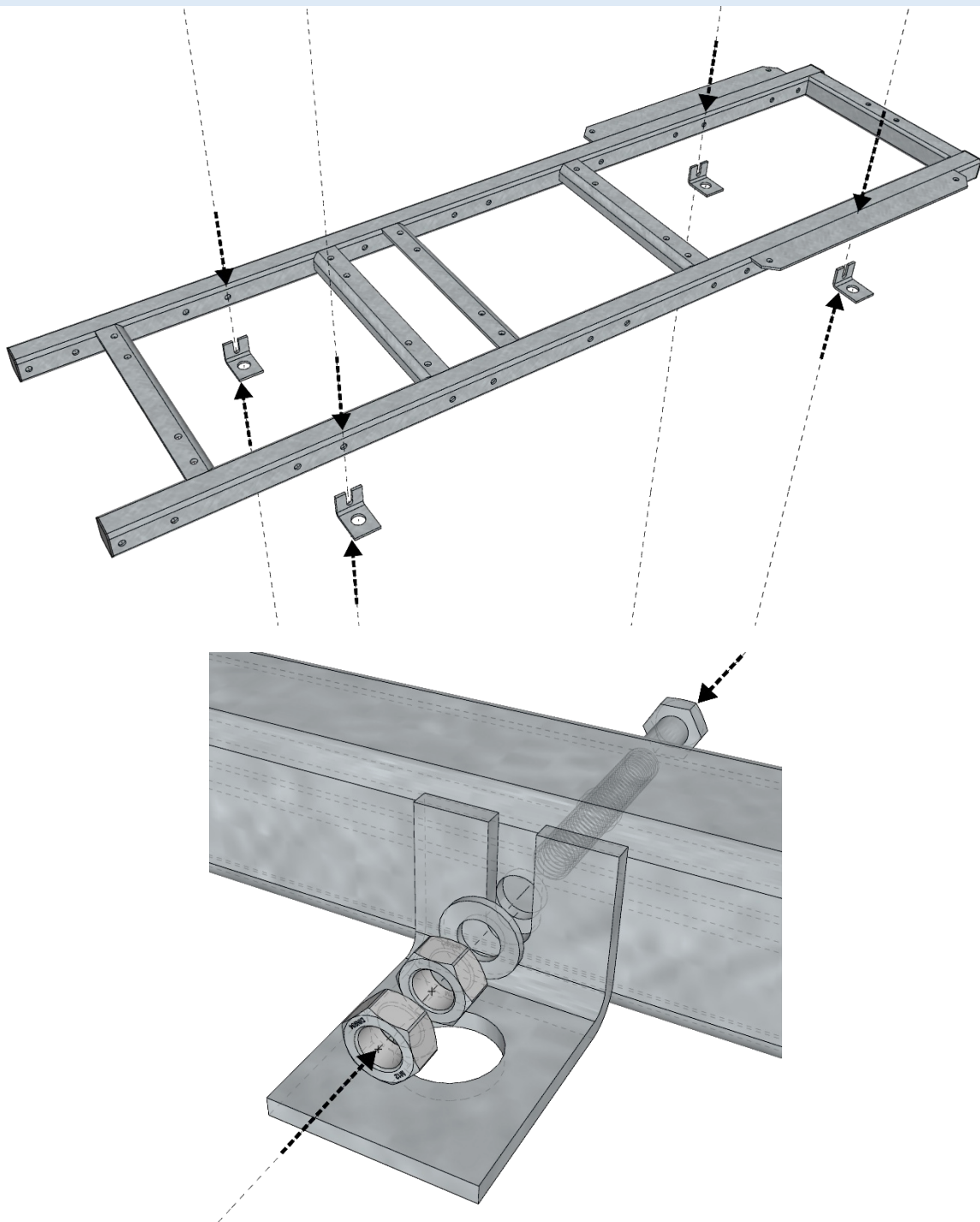


i Recommended: Distance between three wall brackets/main horizontal beams should be 1400mm



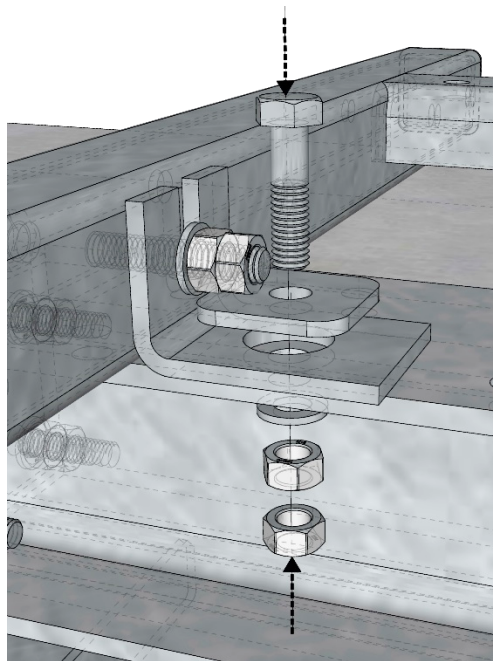
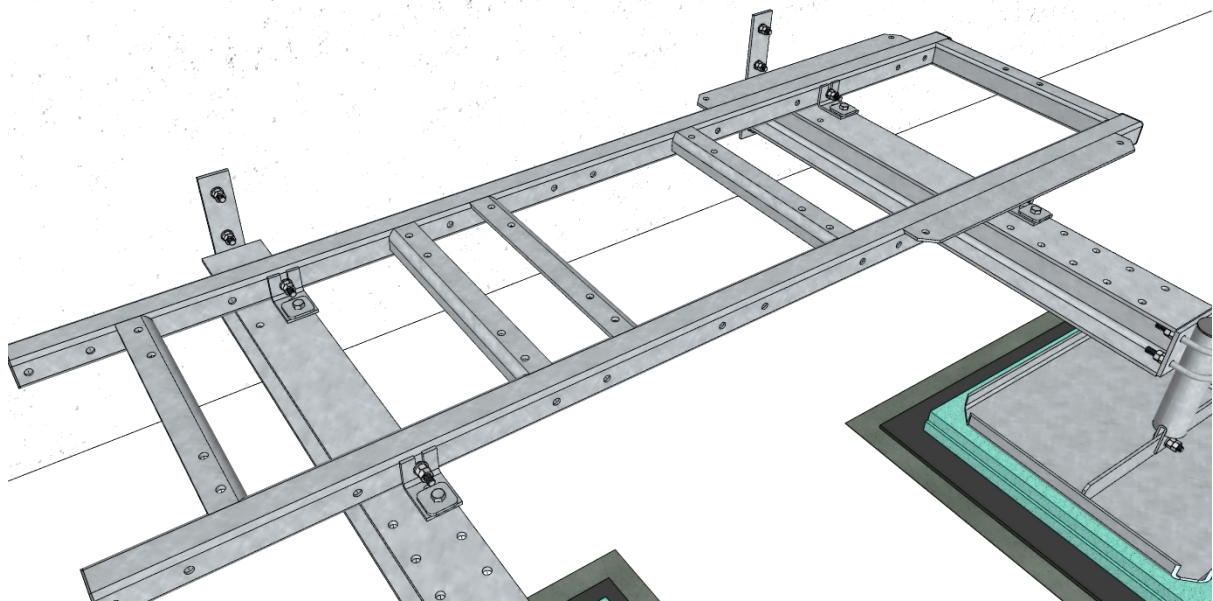
5. EQUIPMENT FRAME

i Prepare frame **GR120-12-P25** by adding 4x fixing brackets **GR120-10-P08** using 4x M12x100 bolts
Distance between fixing brackets should follow distance between horizontal beams – 1400mm



MOUNTING INSTRUCTION

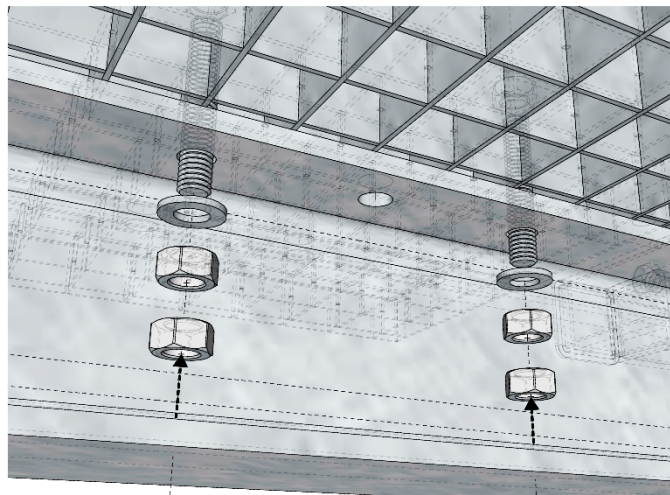
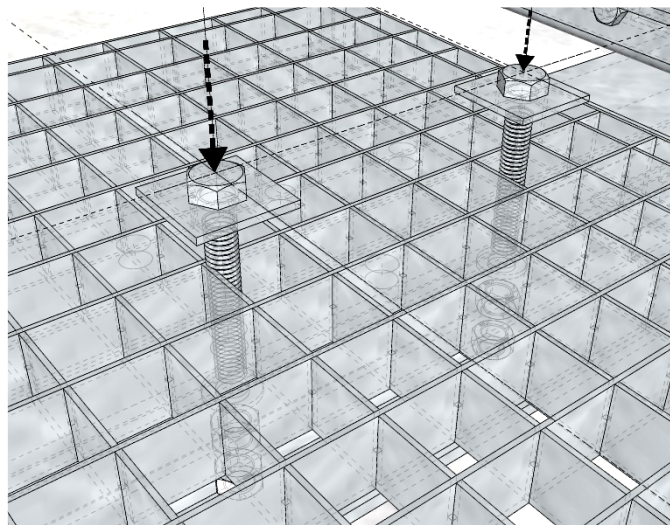
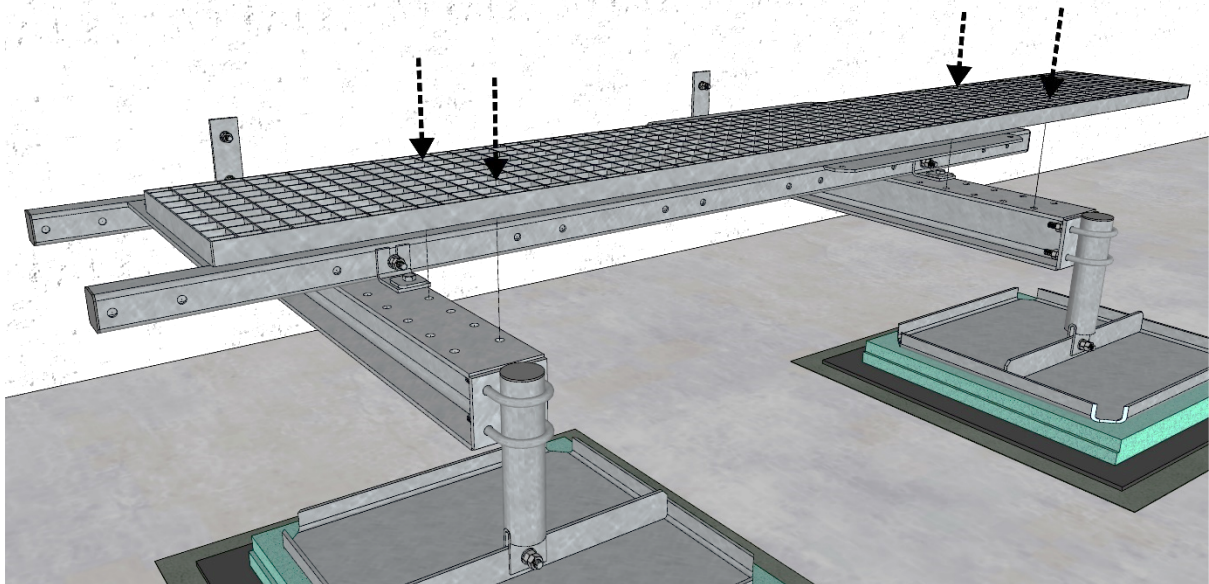
i set the frame for equipment over prepared beams using 4x M12x40 bolts



6. STEEL LATTICE PLATFORM

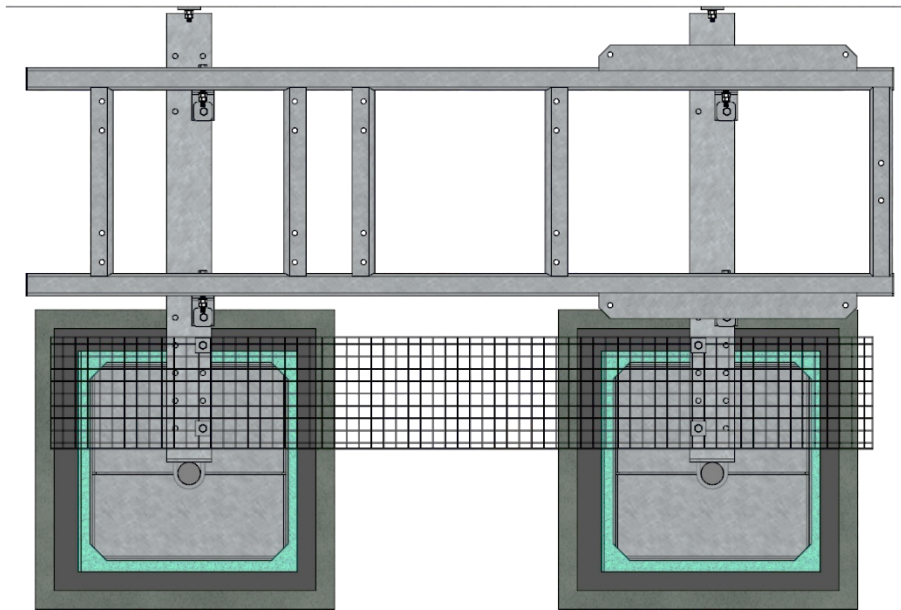
i Set steel lattice platform **GR120-15-P57** over the horizontal beams and attach them directly to the beams using 4x M12x100 bolts and square washers on the top side (use counter bolts)

Note: Bolts, Nuts and Washers are not included



7. LAYOUT DRAWING

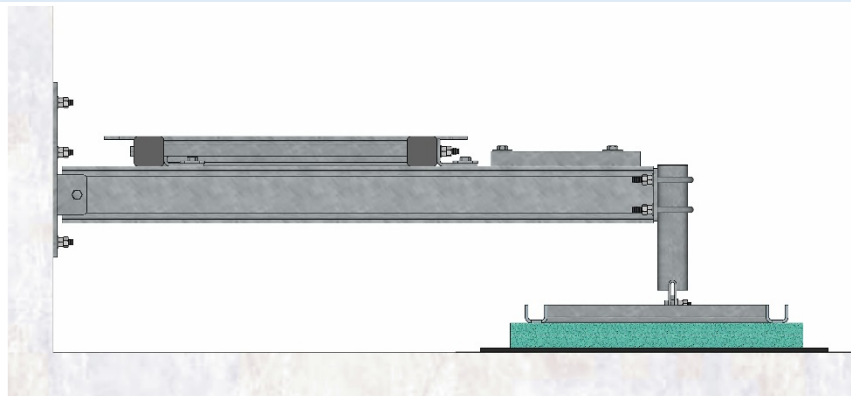
i Top view



i Front view



i Side view



8. RRU SUPPORT - OPTIONAL

i Install RRU-support **GR120-13-P35** on the side of the **GR129-11** steel platform using 4x M12x100

Note: order separately

