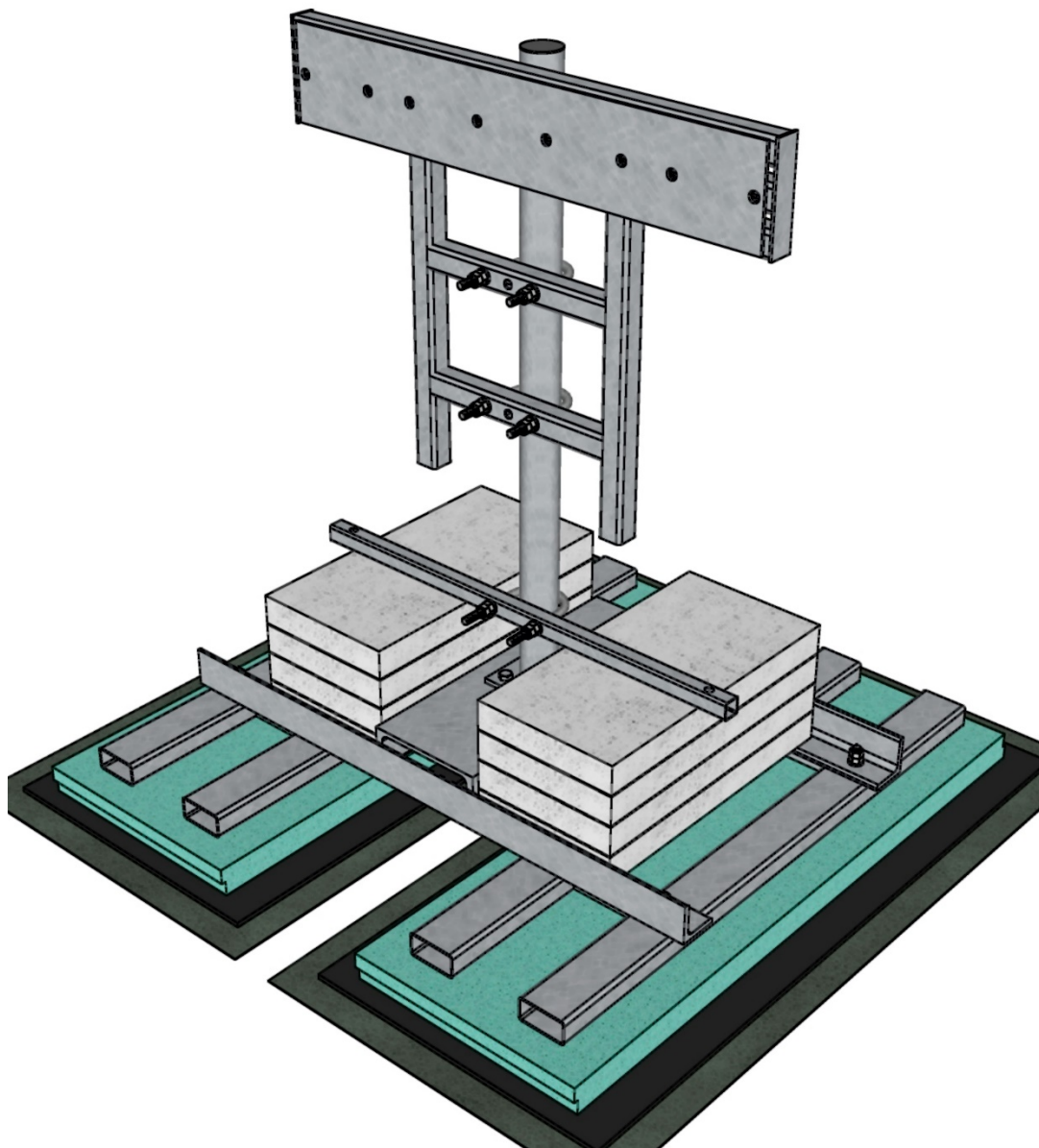


# J-111

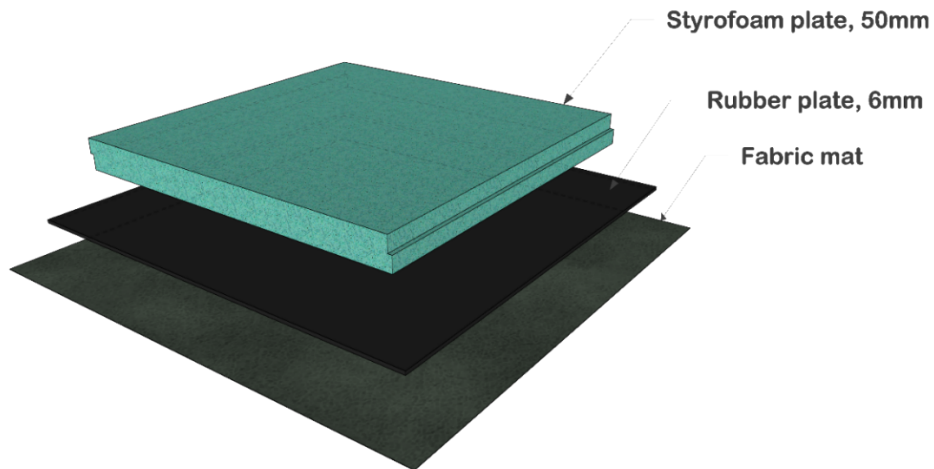
## GRAVITASJONSFESTE MEDIUM RRU - TOTALVEKT 202 KG

### OVERVIEW



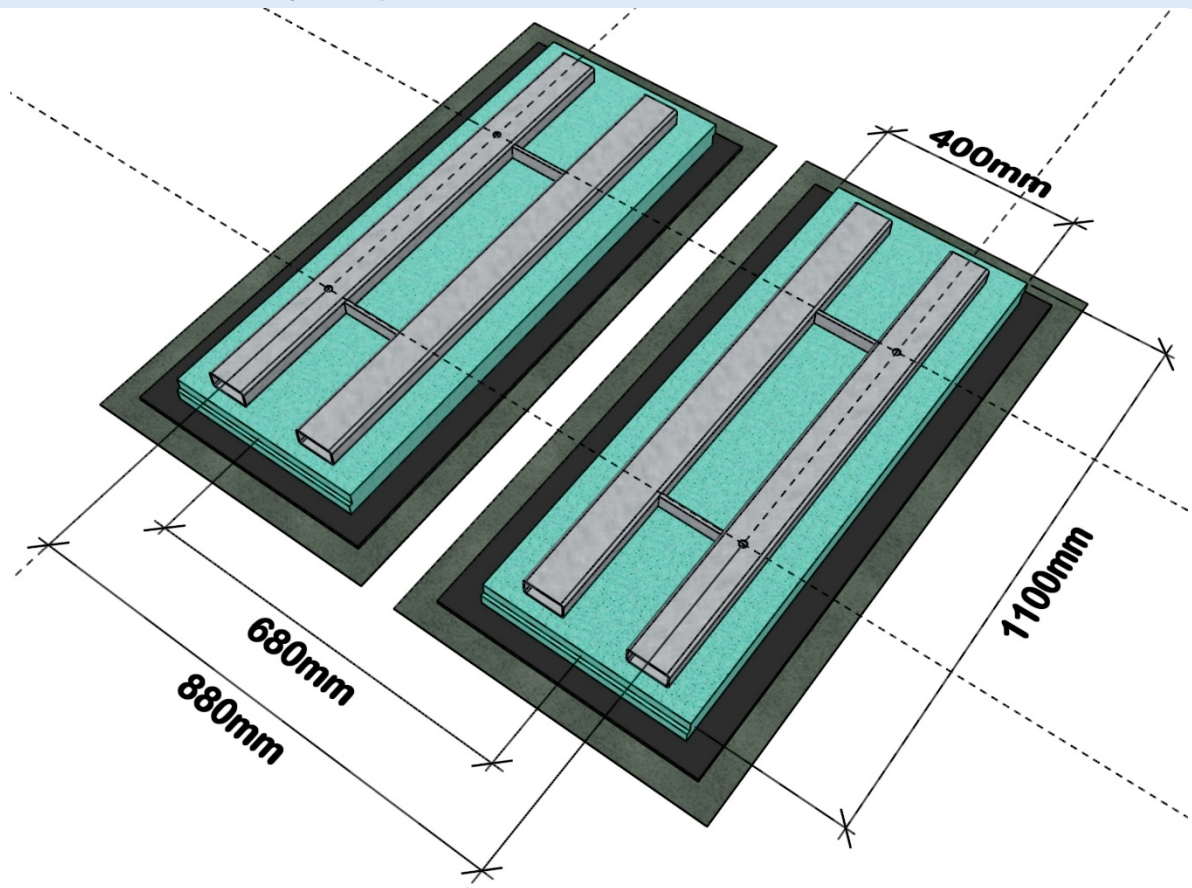
## 1. PREPARE FLORING

**i** Protect the surface from the damaging using Styrofoam plate, rubber surface and fabric mat below each supporting plate



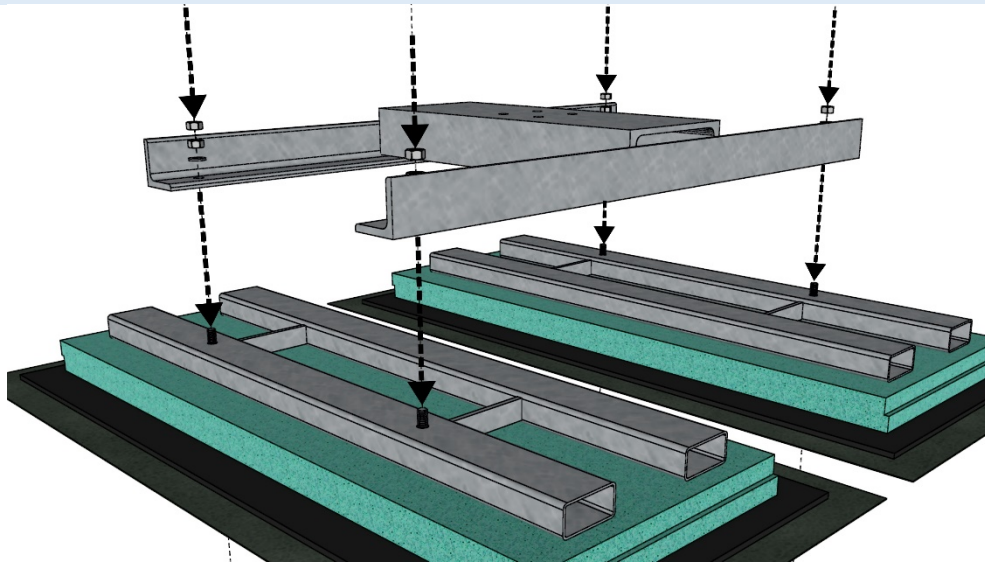
## 2. SUPPORTING SET J-111-P06

**i** Install 2x supporting sets J-111-P06 on the prepared floor pads following distance between holes to 880mm  
Recommend to cut Styrofoam plates to 1100x400mm



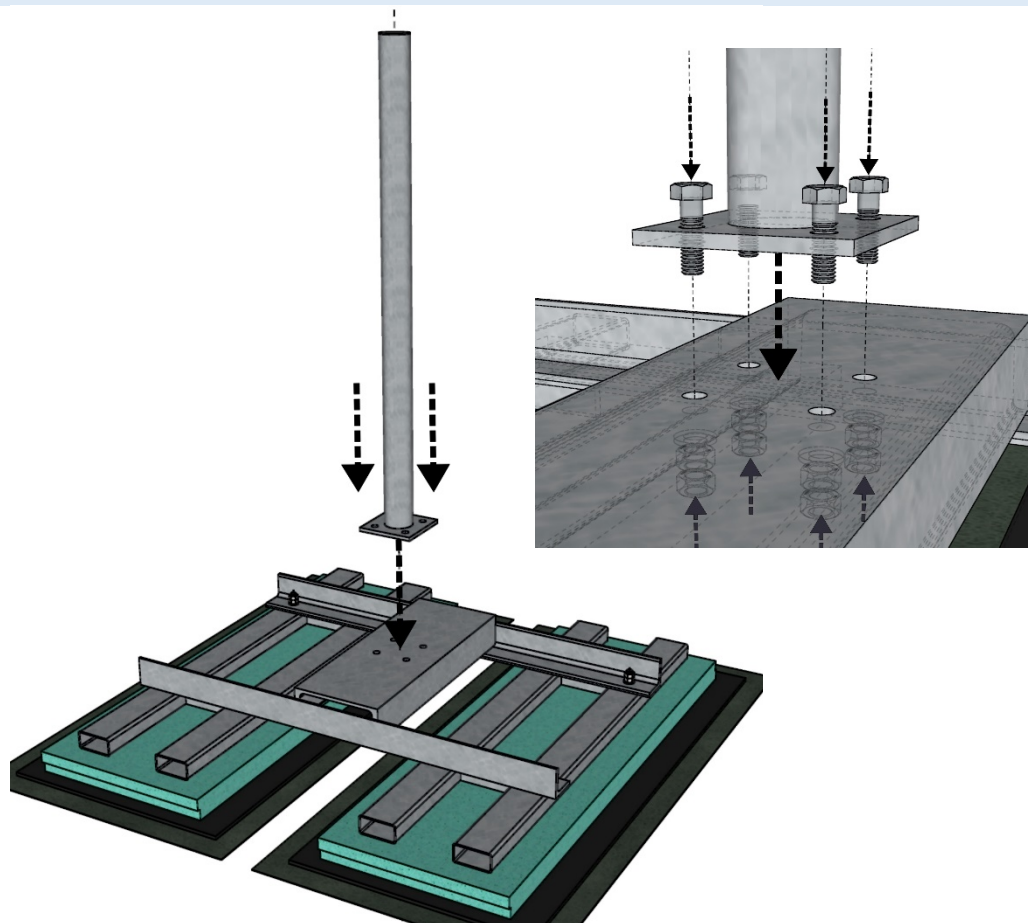
### 3. TOP FRAME J-111-P01

**i** Install top frame J-111-P01 at top of the J-111-P01 supporting sets using 4x M12x50mm bolts



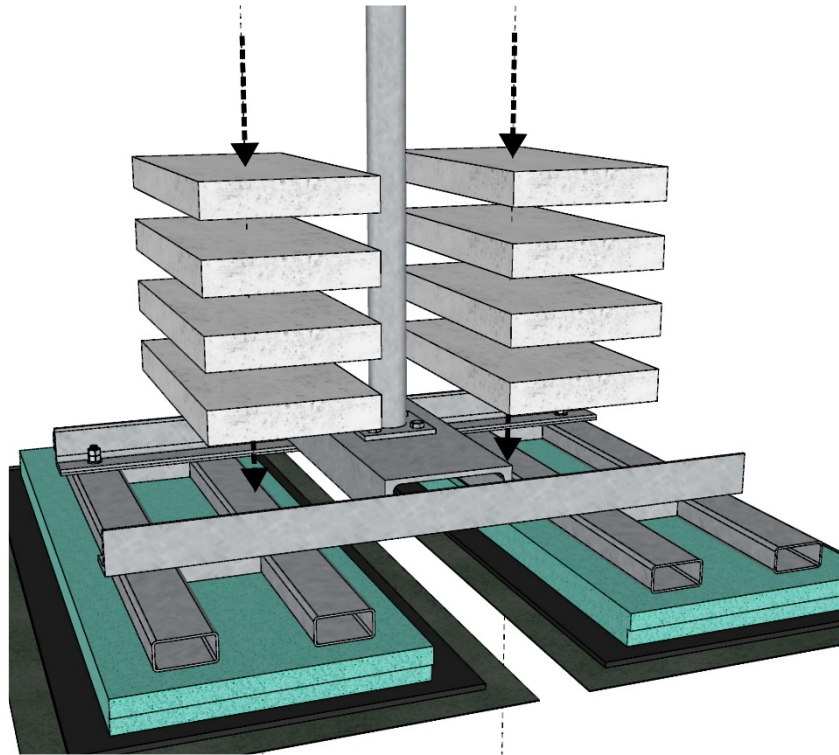
### 4. MAIN HORIZONTAL BEAM UNP100

**i** Install main pole J-111-P05 at center point of the top frame J-111-P01 using 4x M12x50mm bolts



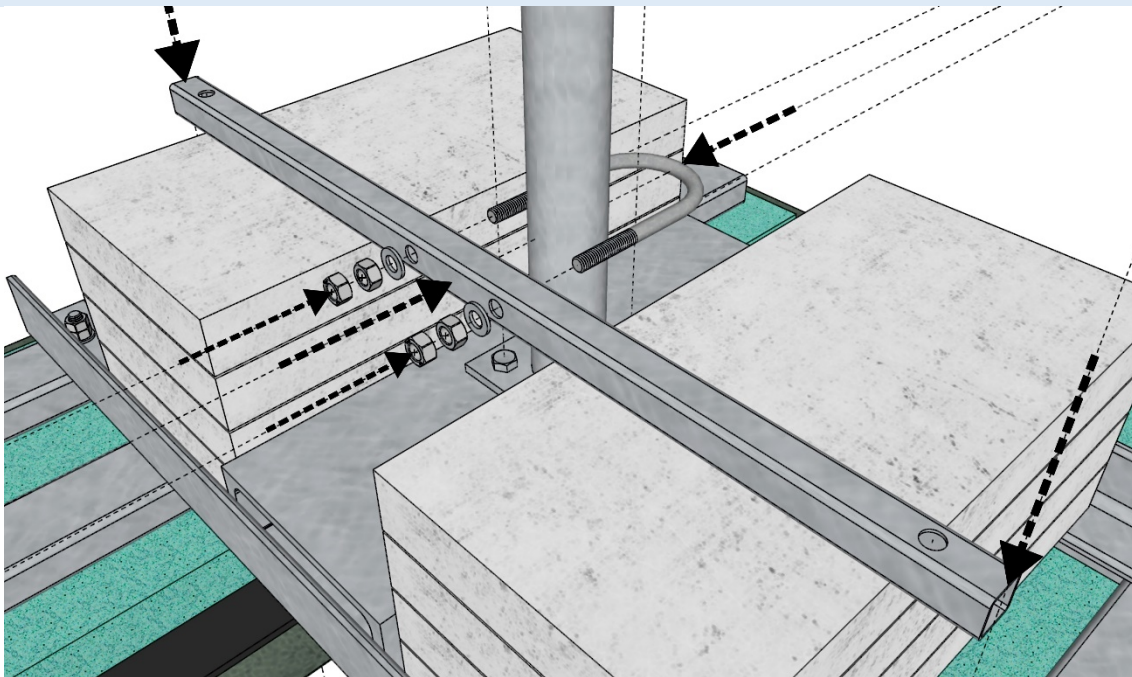
## 5. WEIGHT SETS

- i** Set up 8x concrete blocks 500/250/50mm, 4x on each side of the top frame **J-111-P01** (move concrete blocks on each side as much as possible close to centered UNP200 section)



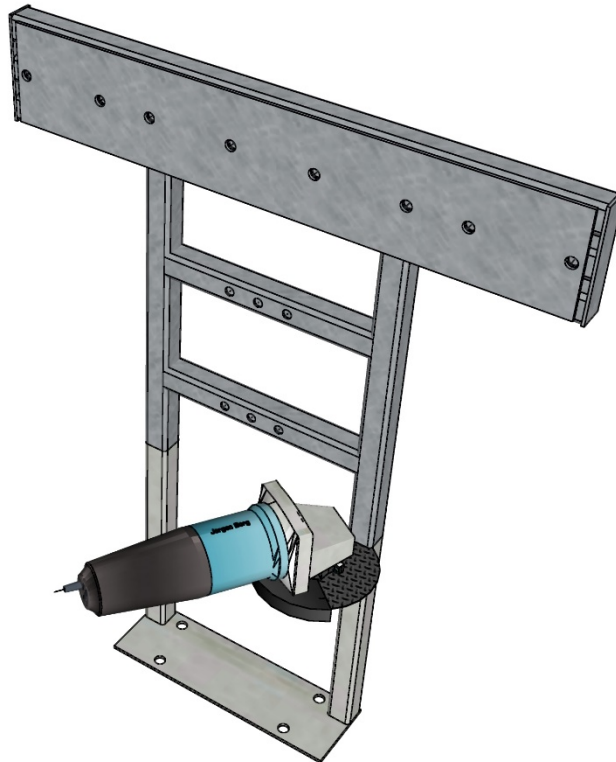
## 6. SUPPORTING BEAM J-111-P02

- i** Place supporting beam **J-111-P02** at top of the concrete blocks and connect it with main pole **J-111-P05** using 1x U-Bolt set

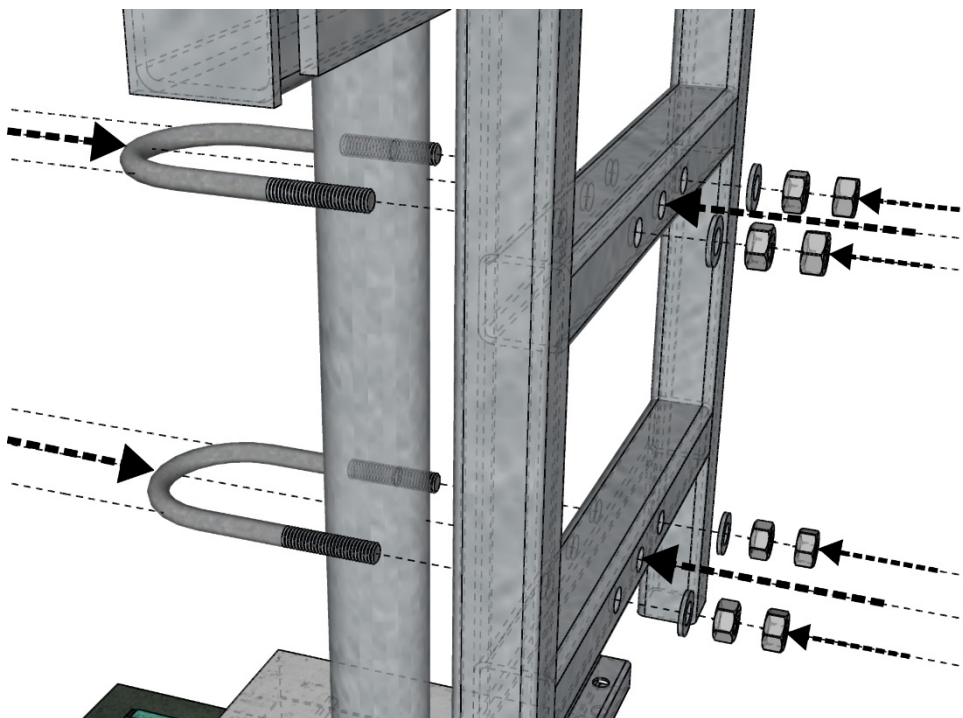


## 7. RRU SUPPORT GR001-11-P01

**i** Cut lower part of the RRU support **GR001-11-P01**/ Protect cut part from further oxidations

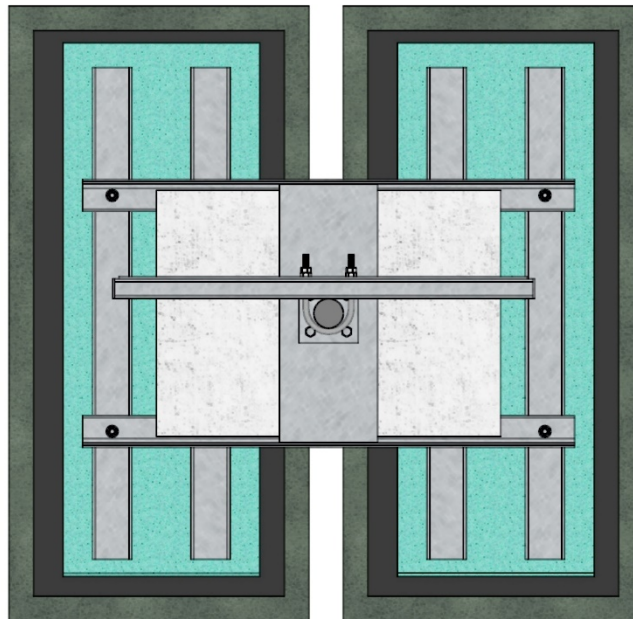


**i** Make connection of the **GR001-11-P01** RRU support with main pole **J-111-P05** using 2x U-Bolt sets



## 8. LAYOUT DRAWINGS

**i** TOP VIEW



**i** FRONT / SIDE VIEW

