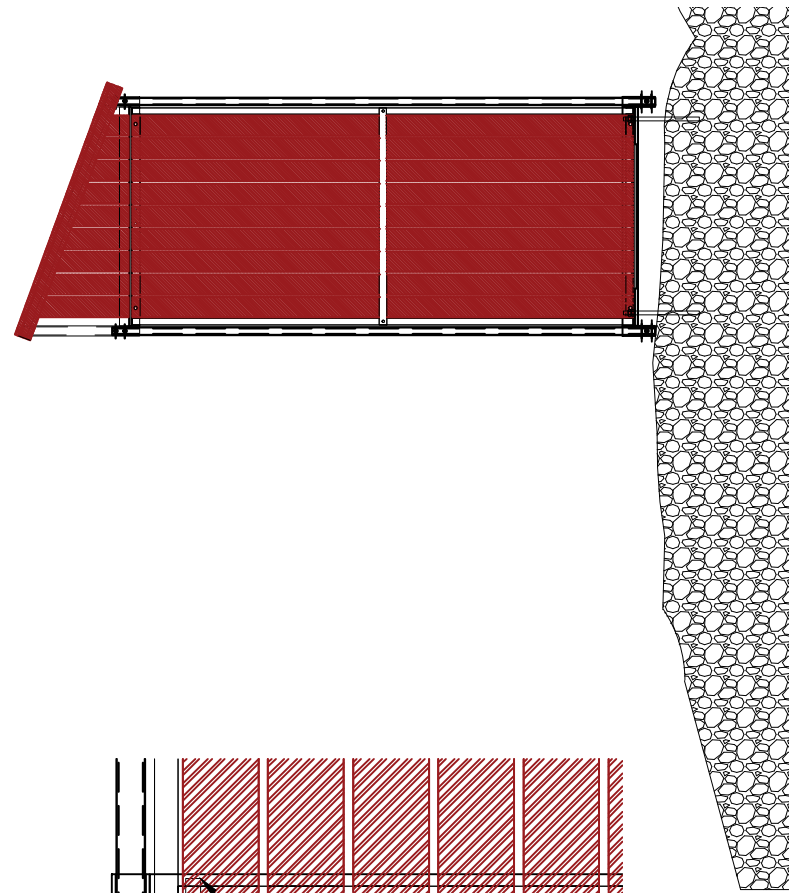
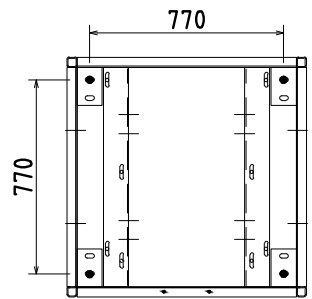
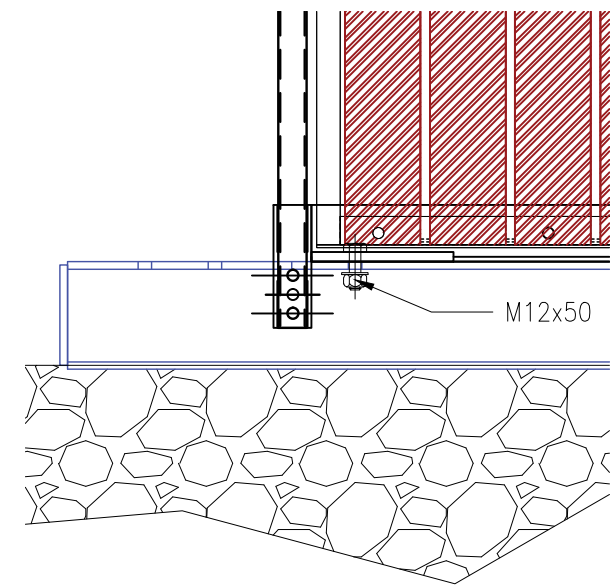
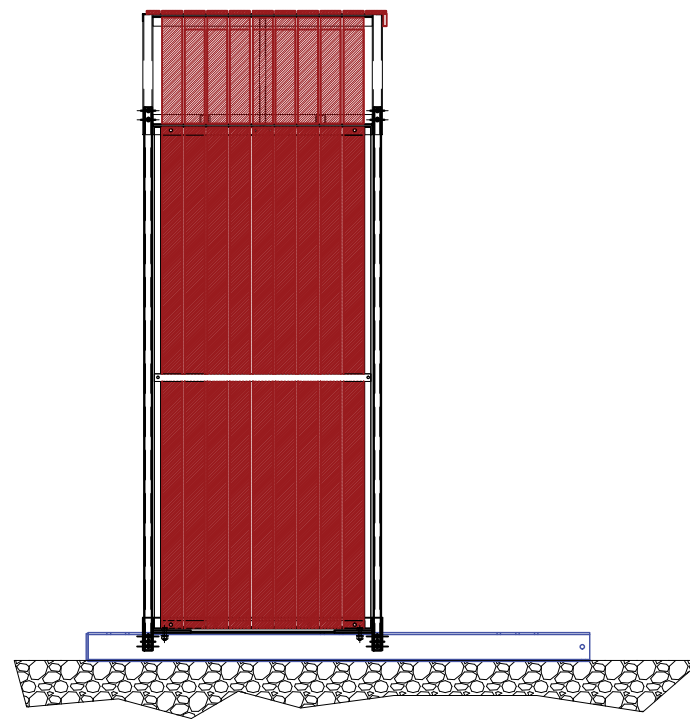
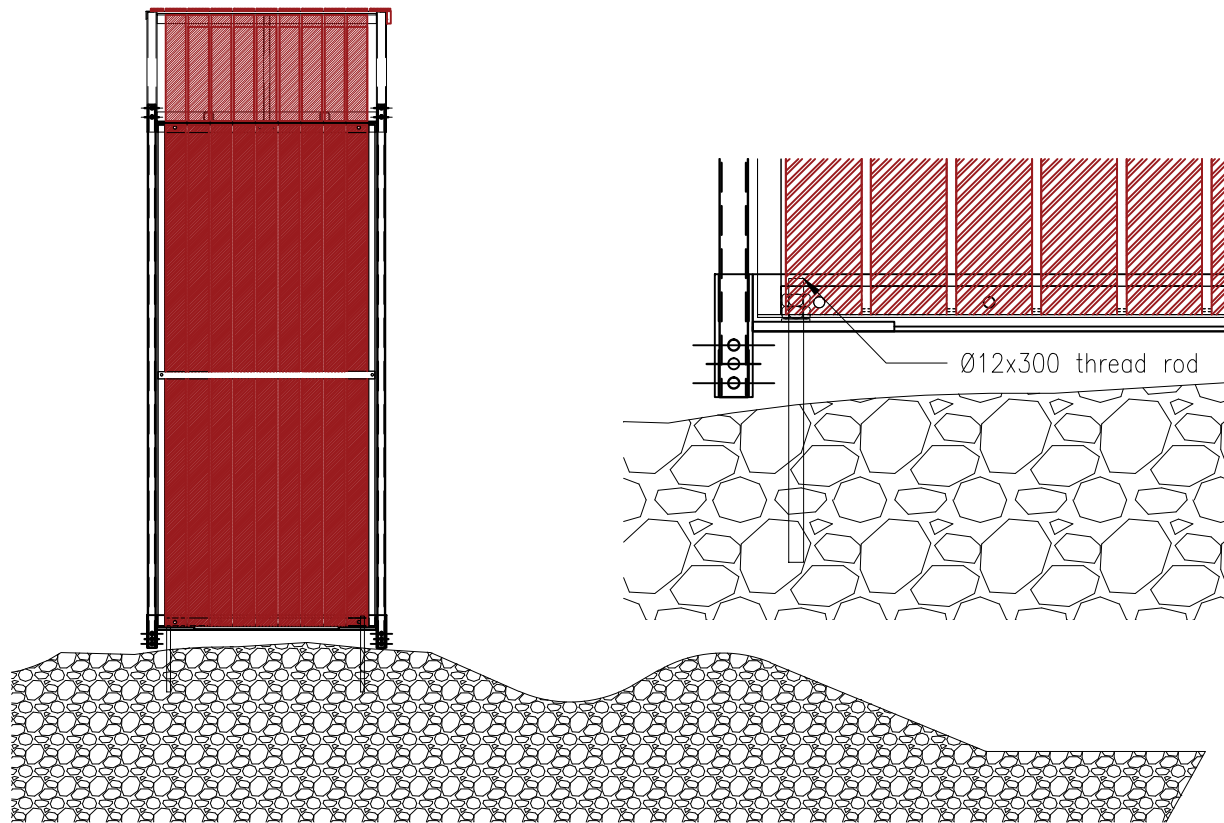
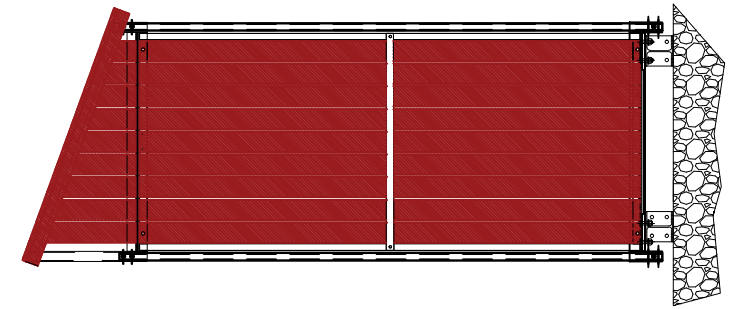
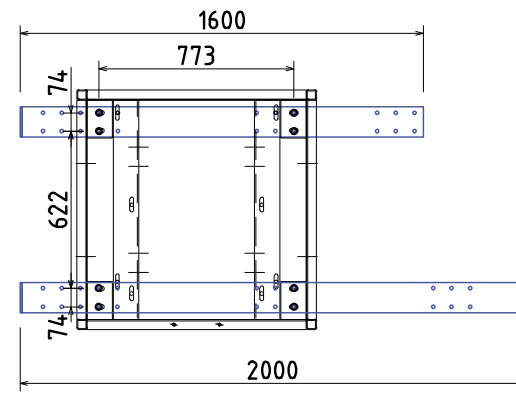


ON GROUND - 4xØ16



HEA BEAMS - 8xM12x50



FOUNDATION