
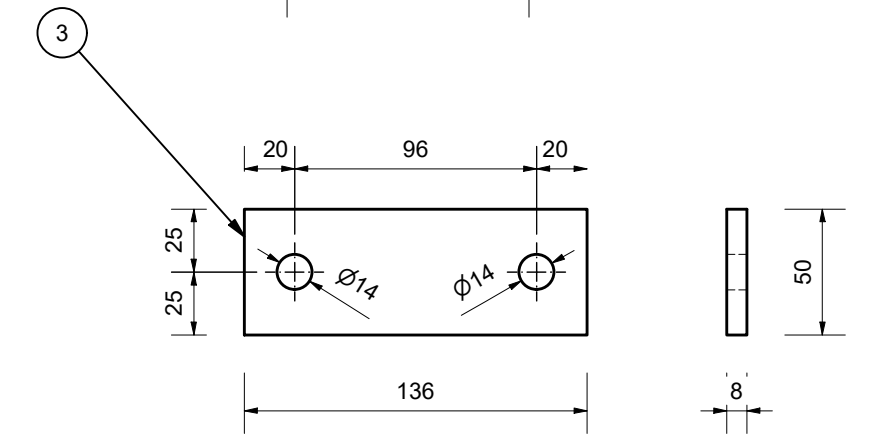
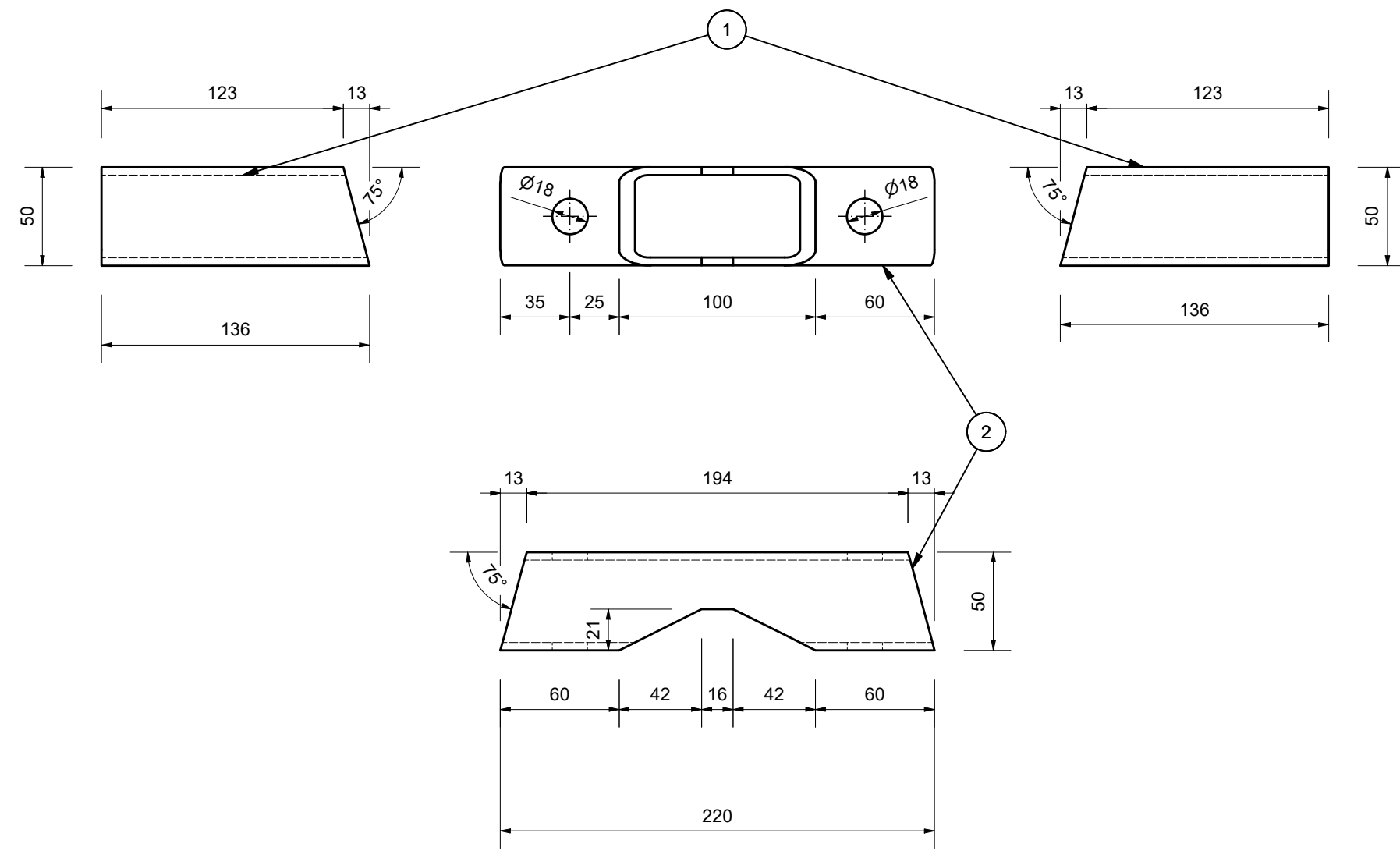
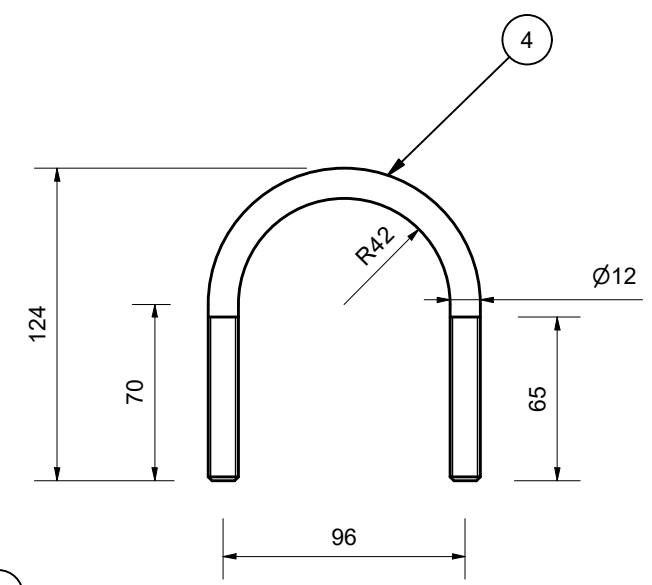
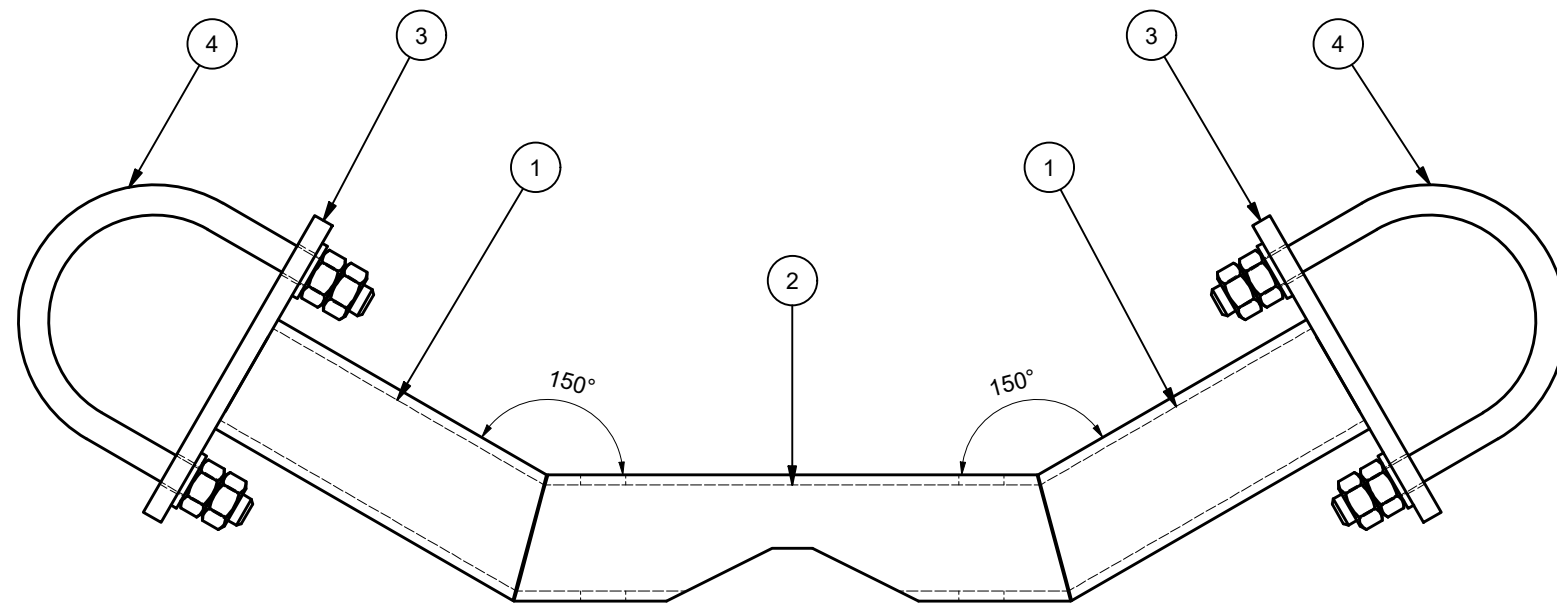



PARTS LIST					
ITEM	PART NUMBER	ITEM QTY	MATERIAL	DESCRIPTION	MASS
1	POS1	1		Assembly	3.829 kg
2	POS2	1		Assembly	2.628 kg
3	EN 10060 - 16 - 300	2	Steel, Galvanized	Threaded Rod	0.474 kg
4	DIN 125 - A 17	4	Steel, Galvanized	Washer	0.011 kg
5	DIN 934 - M16	8	Steel, Galvanized	Hex Nut	0.034 kg

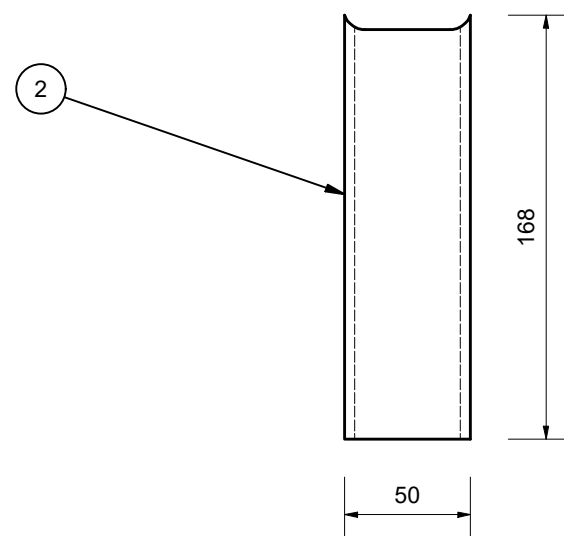
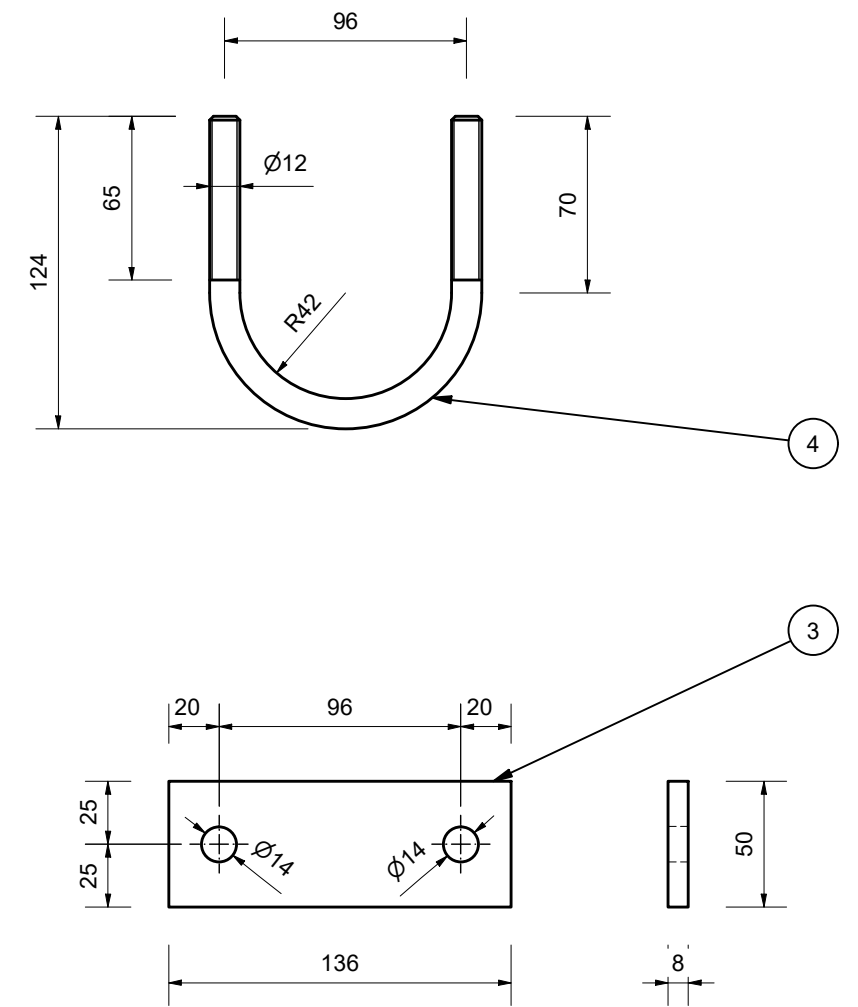
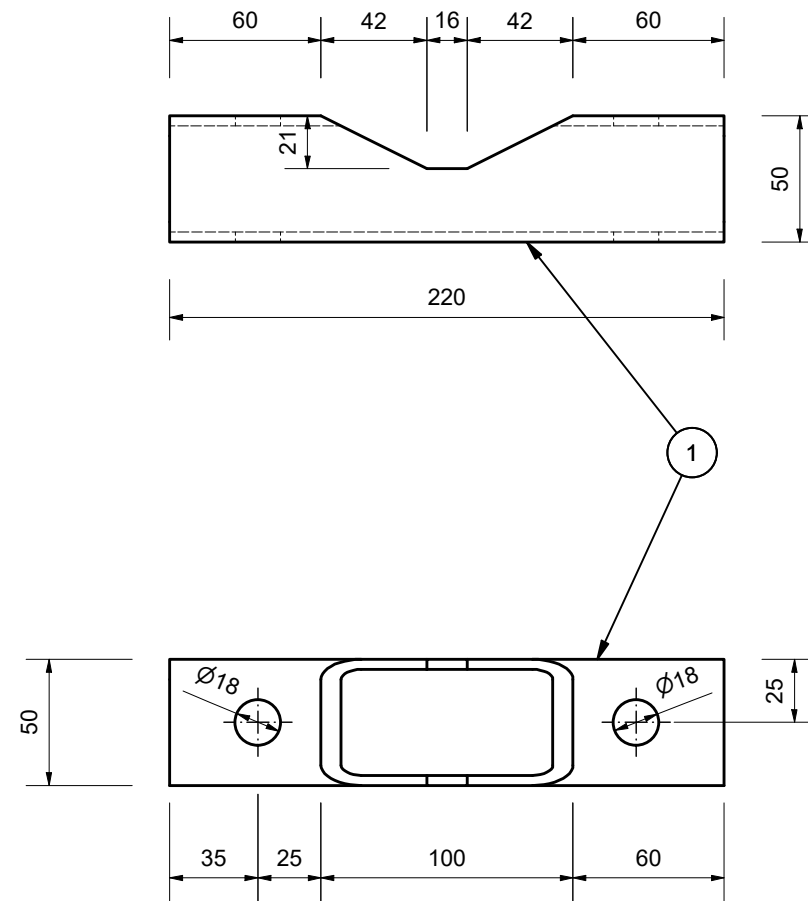
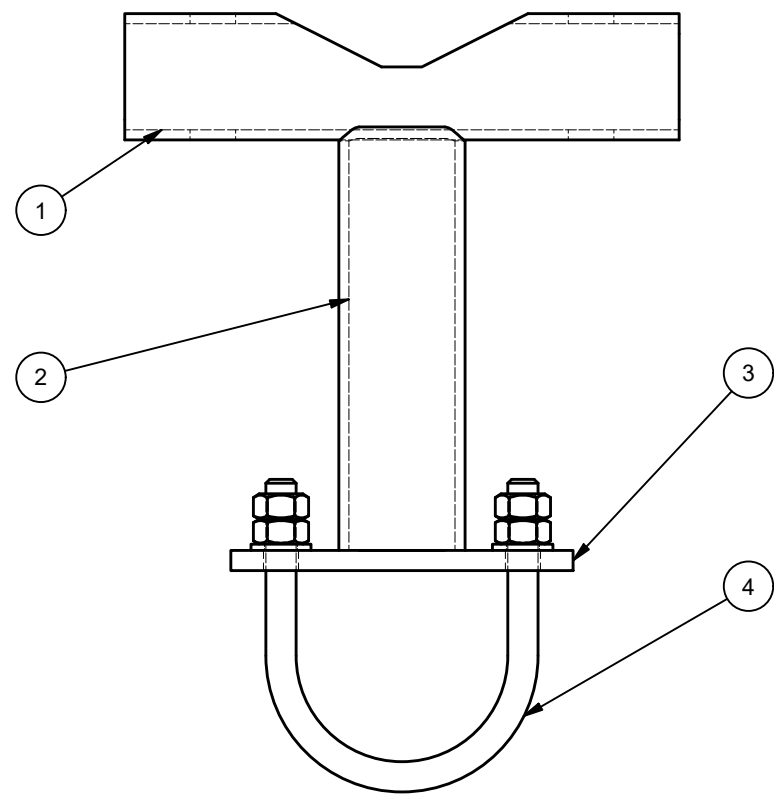
TOTAL MASS 7.722 kg

Designed by Andrija Radisic	Creation date 19-Jul-22	Checked by Milorad Cosic	Approved by MC	Date of approval 04.08.22.
 www.griptel.no		Part name 3-Sector-Bracket		Revision number : 0
		Paper format A3		Revision date :
		Scale 1 : 3	Sheet number 1/4	




PARTS LIST					
ITEM	PART NUMBER	ITEM QTY	MATERIAL	DESCRIPTION	MASS
1	HUP - 50x50x4...136mm	2	Steel, Galvanized	Hot formed square steel tubes	0.708 kg
2	HUP - 50x50x4...220mm	1	Steel, Galvanized	Hot formed square steel tubes	0.918 kg
3	Plate 8mm	2	Steel, Galvanized	Plate	0.408 kg
4	U12-76-1	2	Steel, Galvanized	U-Bolt	0.258 kg
5	DIN 125 - A 13	4	Steel, Galvanized	Washer	0.006 kg
6	DIN 934 - M12	8	Steel, Galvanized	Hex Nut	0.018 kg
TOTAL MASS					3.83 kg

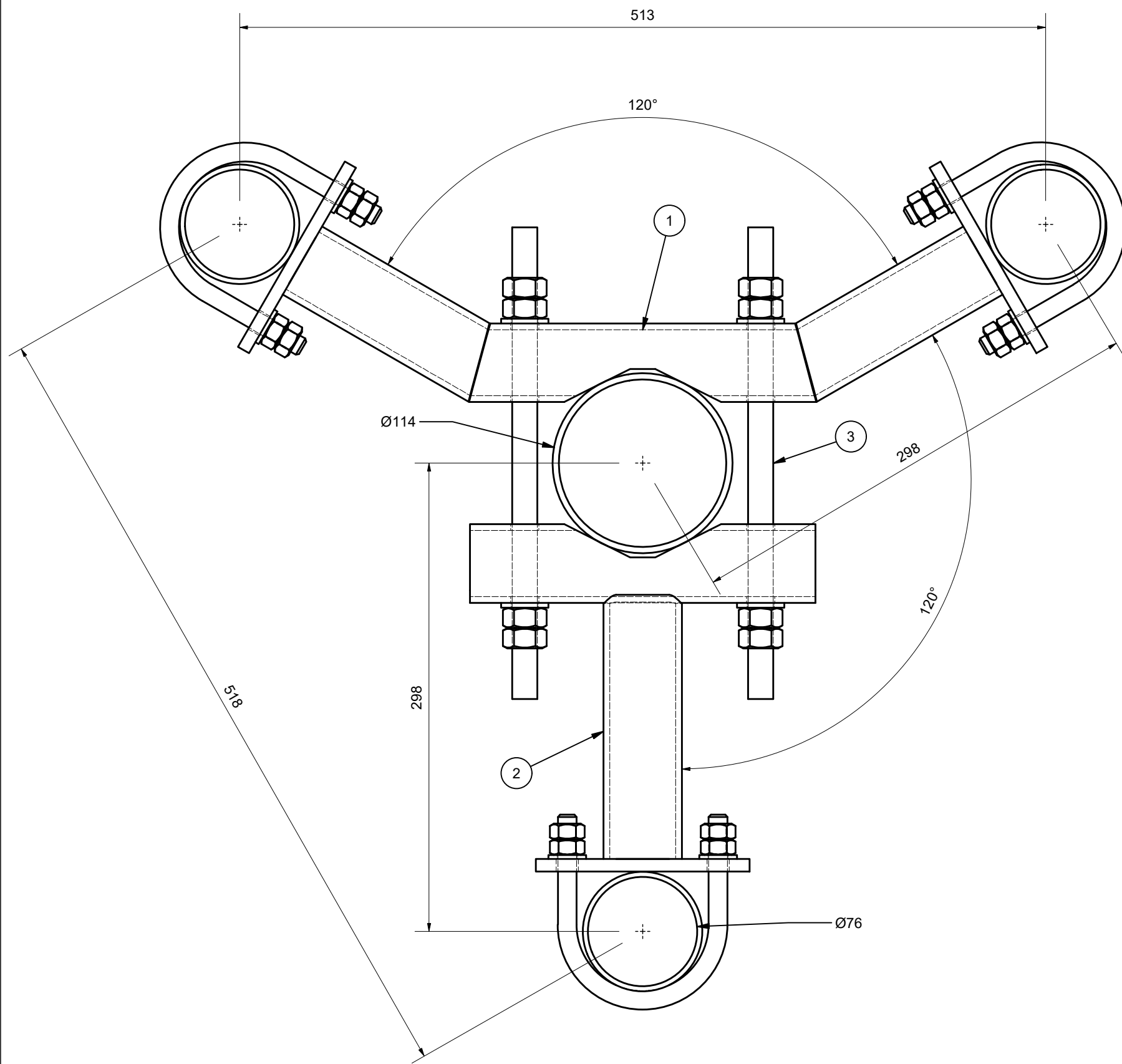
Designed by Andrija Radisic	Creation date 19-Jul-22	Checked by Milorad Cosic	Approved by MC	Date of approval 04.08.22
 GRIPTEL www.griptel.no			Part name POS1	
			Revision number : 0	
Paper format A3		Scale 1 : 3		Sheet number 2/4




PARTS LIST					
ITEM	PART NUMBER	ITEM QTY	MATERIAL	DESCRIPTION	MASS
1	HUP - 50x50x...220mm	1	Steel, Galvanized	Hot formed square steel tubes	0.986 kg
2	HUP - 50x50x4...168mm	1	Steel, Galvanized	Hot formed square steel tubes	0.894 kg
3	Plate 8mm	1	Steel, Galvanized	Plate	0.408 kg
4	U12-76-1	1	Steel, Galvanized	U-Bolt	0.258 kg
5	DIN 125 - A 13	2	Steel, Galvanized	Washer	0.006 kg
6	DIN 934 - M12	4	Steel, Galvanized	Hex Nut	0.018 kg

TOTAL MASS 2.63 kg

Designed by Andrija Radisic	Creation date 19-Jul-22	Checked by Milorad Cosic	Approved by MC	Date of approval 04.08.22
			Part name POS2	Revision number : 0
			Paper format A3	Revision date :
www.griptel.no		Scale 1 : 3	Sheet number 3/4	



PARTS LIST					
ITEM	PART NUMBER	ITEM QTY	MATERIAL	DESCRIPTION	MASS
1	POS1	1		Assembly	3.829 kg
2	POS2	1		Assembly	2.628 kg
3	EN 10060 - 16 - 300	2	Steel, Galvanized	Threaded Rod	0.474 kg
4	DIN 125 - A 17	4	Steel, Galvanized	Washer	0.011 kg
5	DIN 934 - M16	8	Steel, Galvanized	Hex Nut	0.034 kg
TOTAL MASS					7.722 kg

Designed by Andrija Radisic	Creation date 19-Jul-22	Checked by Milorad Cosic	Approved by MC	Date of approval 04.08.22
 GRIPtel www.griptel.no			Part name 3-Sector-Bracket	
			Revision number : 0 Revision date :	
Paper format A3		Scale 1 : 3		Sheet number 4/4